

Bend

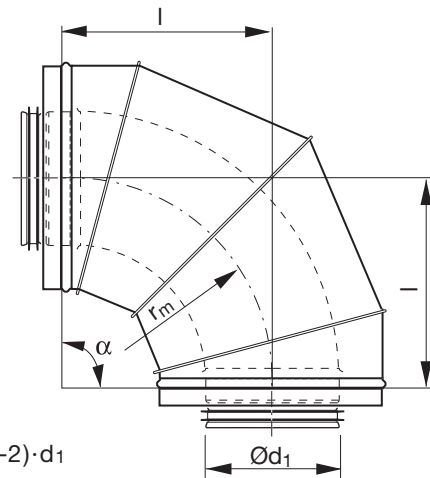
BFUI 90°



Description

The bend is double-jacketed and insulated with mineral wool, and is supplied with Safe rubber seal in the inner dimension. The inner bend is build in segments.

Dimensions



$$r_m \approx (1-2) \cdot d_1$$

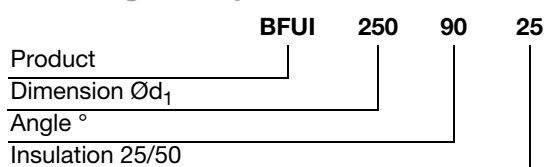
25 mm insulation.

Ød ₁ nom	l mm	m kg
160	200	4,40
200	250	5,40
250	300	6,80
300	355	9,70
315	355	11,4
355	400	15,8
400	450	21,5
450	500	26,7
500	560	32,9

50 mm insulation.

Ød ₁ nom	l mm	m kg
160	260	5,80
200	300	7,30
250	355	8,90
300	400	12,5
315	400	14,7
355	450	20,6
400	500	25,3
450	560	31,8
500	600	38,9

Ordering example



- 1
- 2
- 3
- 4
- 5
- 6
- 7
- 8
- 9
- 10
- 11
- 12
- 13
- 14
- 15
- 16
- 17
- 18