

Bend, isol

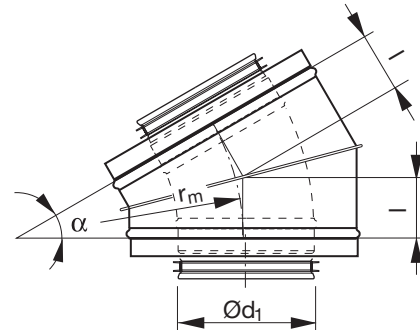
BFUI 30°



Description

The bend is double-jacketed and insulated with mineral wool, and is supplied with Safe rubber seal in the inner dimension. The inner bend is build in segments.

Dimensions



$$r_m \approx (0.8-2) \cdot d_1$$

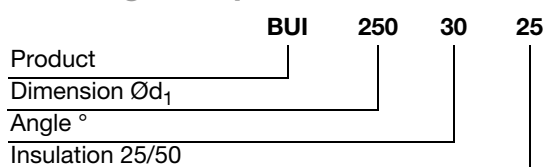
25 mm insulation.

Ød nom	l [mm]	m [kg]
160	54	2,10
200	67	2,60
250	80	3,30
300	95	4,70
315	95	3,60
355	107	5,90
400	122	9,20
450	135	11,2
500	151	13,8

50 mm insulation.

Ød nom	l [mm]	m [kg]
160	70	2,90
200	80	3,60
250	95	4,20
300	107	5,40
315	107	6,30
355	122	8,80
400	134	10,7
450	150	13,2
500	161	16,0

Ordering example



- 1
- 2
- 3
- 4
- 5
- 6
- 7
- 8
- 9
- 10
- 11
- 12
- 13
- 14
- 15
- 16
- 17
- 18