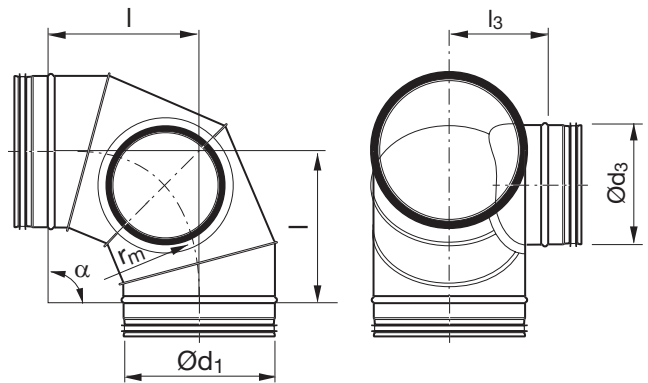


# Cleaning bend

# BFKCU 90°



## Dimensions

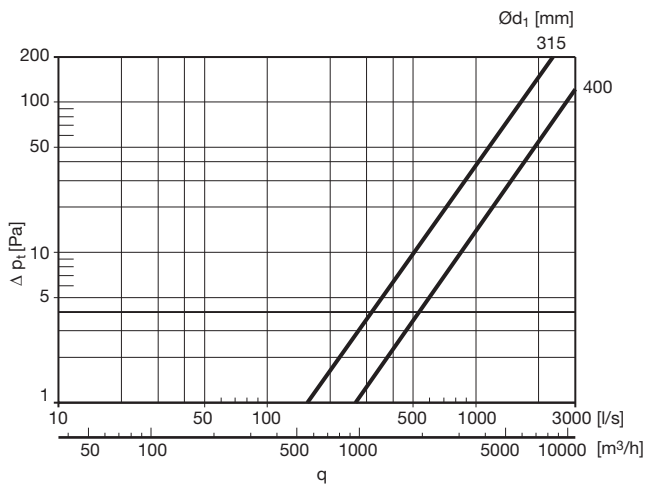


$$r_m \approx 1 \cdot d_1$$

## Description

Segmented and lockseamed bend with separate branch for cleaning. The stud is fitted with a Safe take-off and fits an inspection cap. The design gives a lower pressure drop than the equivalent design using a T-piece. The stud can also be used as the connection for an SR duct.

Ød <sub>1</sub> nom	Ød <sub>3</sub> nom	l [mm]	l <sub>3</sub> [mm]	m [kg]
300	250	300	177	4,10
315	250	315	185	4,60
315	315	315	185	4,60
400	315	400	227	7,53
400	400	400	227	7,25



The graph applies to a cleaning bend with cleaning cap. Pressure drop is independent of take-off dimension ( $\text{Ø}d_3 \leq \text{Ø}d_1$ ).

## Ordering example

