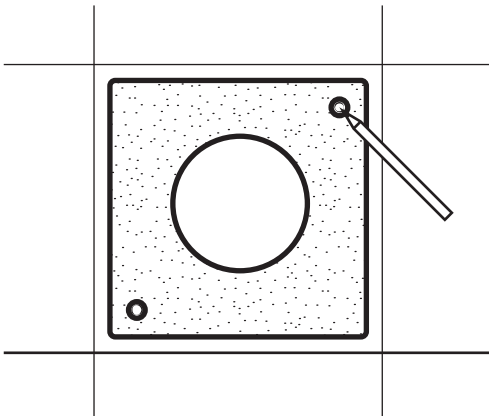


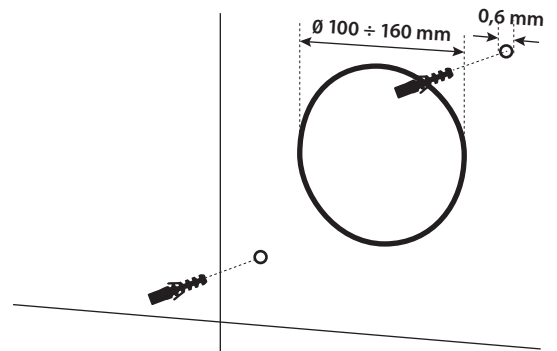
10



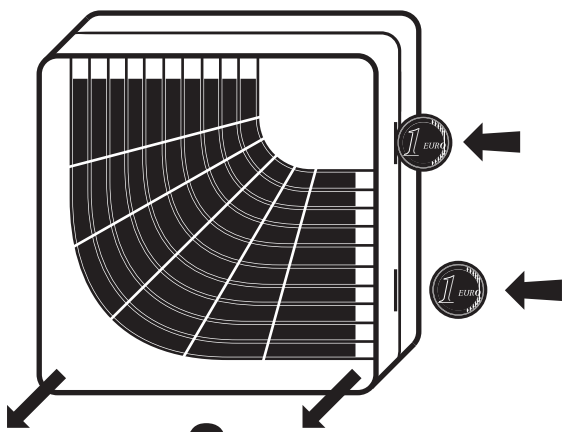
CGF



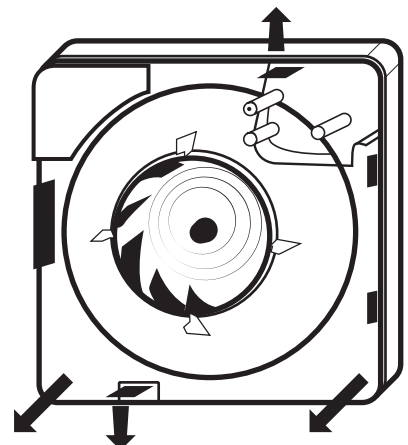
1



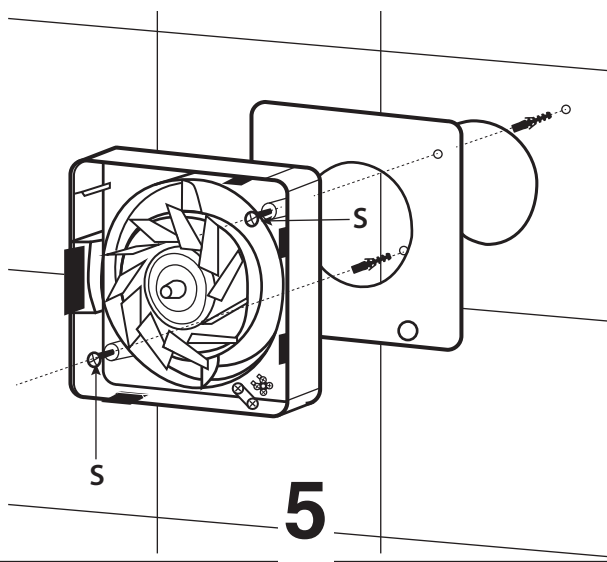
2



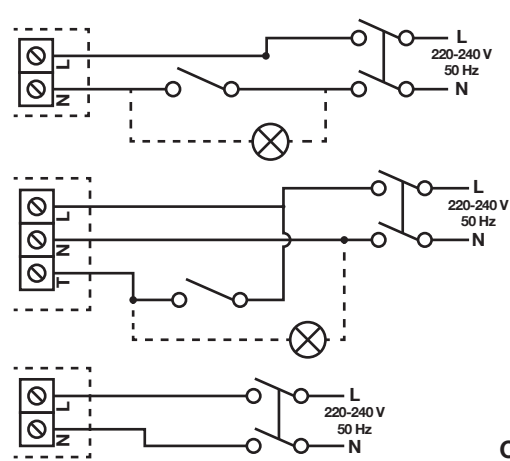
3



4



5

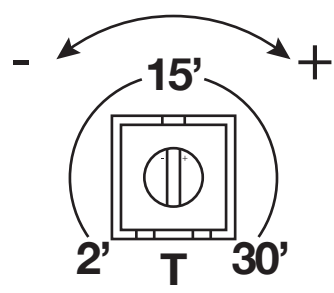


CGF-B

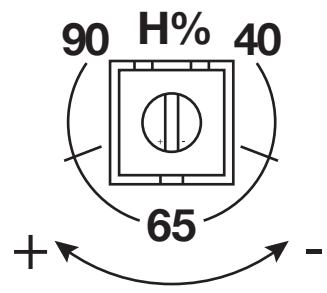
CGF-T
CGF-HT

CGF-PIR
CGF-HT (AUTOMATIC)

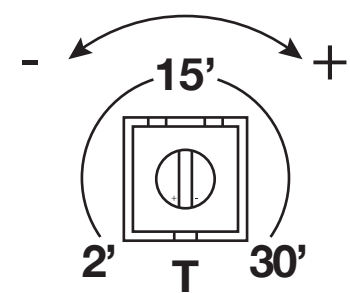
6



TIMER

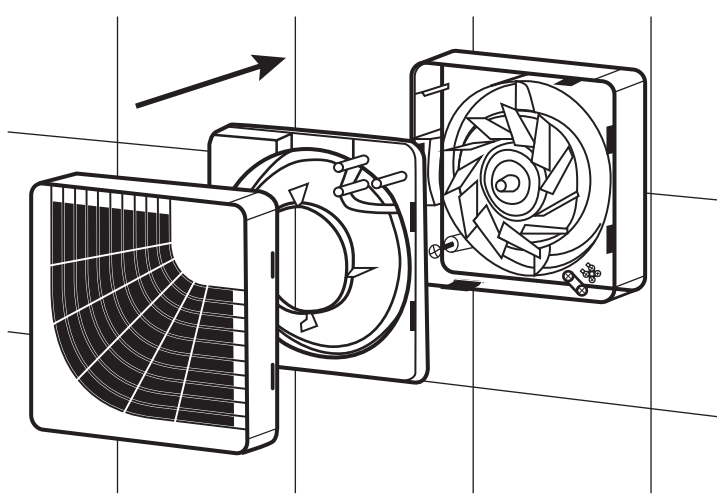


HUMIDITY

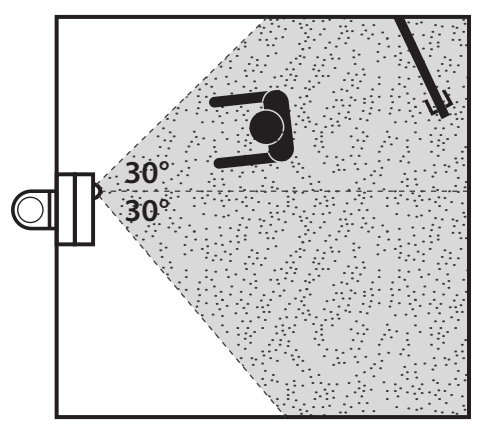
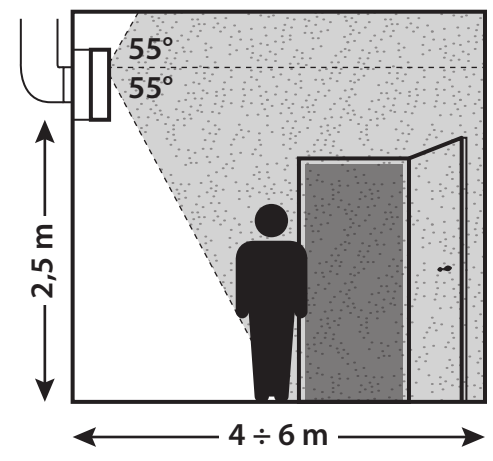


**TIMER
(CGF- HT)**

7



8



9