

Channel framing system

The Lindab channel framing system is designed to provide an effective yet economical solution to today's framing and support requirements.

The TS fittings are used together with the RPC channels.

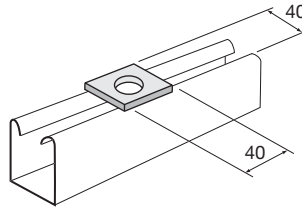
All TS fittings are generally manufactured from 6 mm thick steel strip and hot dip galvanised to BSENISO1461:1999 unless otherwise indicated. Standard hole diameter 14 mm.

TS00

External plate

Available in 8 and 10 mm hole clearance – 5 mm thick

Dim
8
10

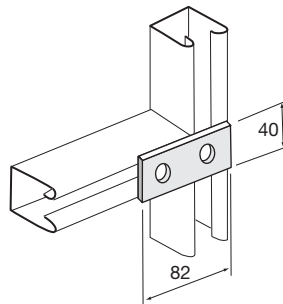


Ordering example

Product	TS00	8
Dimension		

TS01

Two hole joining plate

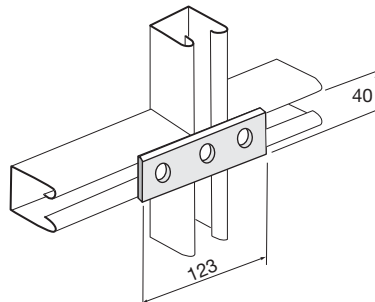


Ordering example

Product	TS01
---------	------

TS02

Three hole joining plate

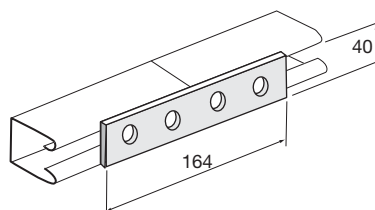


Ordering example

Product	TS02
---------	------

TS03

Four hole joining plate



Ordering example

Product	TS03
---------	------