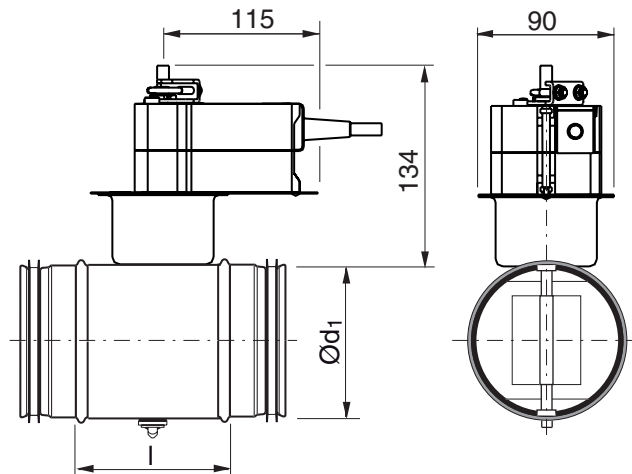


Motorized shut-off damper

DTBCU



Dimensions



Description

Shut-off damper with spring return motor – TF 24 or TF 230

Consists of a DTU damper with a 24 or 230 V electric motor added.

The motor is controlled by a single-pole breaking contact. The motor has overload protection and stops automatically when the blade has reached its end stop. Although the current is connected, the motor is not damaged if blocked.

When system voltage is connected, the motor starts and tensions the return spring at the same time. The motor stops at its end position and is not damaged by blockage, although system voltage remains.

When the power is cut, the damper closes when the drive motor freewheels and the return spring pulls the blade back to its original position.

If you want the damper to open instead of close, you can undo the two nuts on the spindle clamp, turn the spindle 90° and tighten the nuts again.

In outdoor installation, the motor should be protected from direct UV radiation.

The motor is installed at a distance from the damper, which makes it easy to insulate the ventilation duct.

There is a separate assembly, measuring, balancing and maintenance instruction for this product.

Ø 80–200 fullfills pressure class C in closed position.

Ød ₁ nom	l mm	24 V m kg	230 V m kg	Sealing class past closed blade
80	100	1,06	1,06	4
100	100	1,14	1,14	4
125	100	1,29	1,29	4
160	100	1,50	1,50	4
200	100	1,90	1,90	4

Ordering example

Product	DTBCU	200	24	TF
Type				
Dimension Ød ₁				
Voltage				
Motor type				



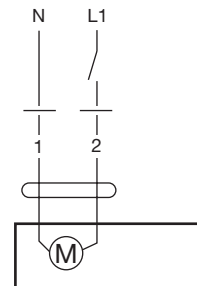
Motorized shut-off damper

DTBCU

Technical data for the motors

- 1
- 2
- 3
- 4
- 5
- 6
- 7
- 8
- 9
- 10
- 11
- 12
- 13
- 14
- 15
- 16
- 17
- 18

	TF 24	TF 230
Voltage range.....	2AC 19,2–28,8 V, 50/60 Hz DC 21,6–28,8 V	AC 85–265 V, 50/60 Hz
Power consumption		
– during opening.....	2,5 W	2,5 W
– stand-by.....	1,5 W	1,5 W
For wire sizing.....	5 VA	5 VA
Connection	Cable 1 m, 2×0,75 mm ²	Cable 1 m, 2×0,75 mm ²
Operating angle, adjustable.....	Mech. limited to 95°	Mech. limited to 95°
Torque at rated voltage		
– motor	Min. 2 Nm	Min. 2 Nm
– return spring.....	Min. 2 Nm	Min. 2 Nm
Direction of rotation	Optional through right or left-hand installation L/R	Optional through right or left-hand installation L/R
Position indication	Mechanical	Mechanical
Running time		
– motor	< 75 s (0–2 Nm)	< 75 s (0–2 Nm)
– return spring.....	< 25 s	< 25 s
Degree of protection.....	IP 42	IP 42
Ambient temperature range.....	-30 to +50°C	-30 to +50°C



	LF 24	LF 230
Voltage range.....	2AC 19,2–28,8 V, 50/60 Hz DC 21,6–28,8 V	AC 198–264 V, 50/60 Hz
Power consumption		
– during opening.....	5 W	5 W
– stand-by.....	2,5 W	3 W
For wire sizing.....	7 VA	7 VA
Connection	Cable 1 m, 2×0,75 mm ²	Cable 1 m, 2×0,75 mm ²
Operating angle, adjustable.....	Mech. limited to 95°	Mech. limited to 95°
Torque at rated voltage		
– motor	Min. 4 Nm	Min. 4 Nm
– return spring.....	Min. 4 Nm	Min. 4 Nm
Direction of rotation	Optional through right or left-hand installation L/R	Optional through right or left-hand installation L/R
Position indication	Mechanical	Mechanical
Running time		
– motor	40–75 s (0–4 Nm)	40–75 s (0–4 Nm)
– return spring.....	app. 20 s	app. 20 s
Sound power level		
– motor	max 50 dB (A)	max 50 dB (A)
– return spring.....	app. 62 dB (A)	app. 62 dB (A)
Degree of protection.....	IP 54	IP 54
Ambient temperature range.....	-30 to +50°C	-30 to +50°C

