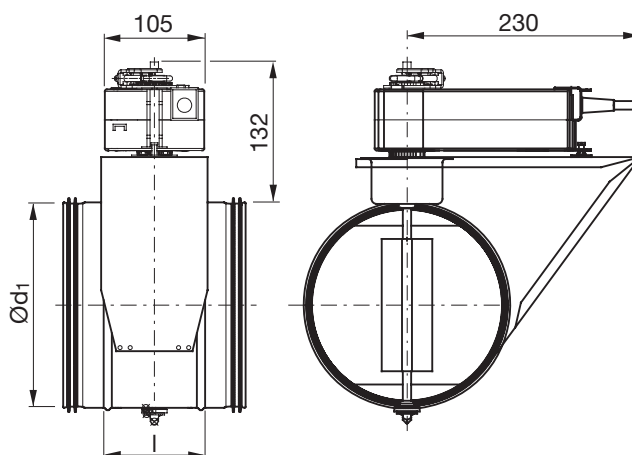


# Motorized shut-off damper

# DTBCU



## Dimensions



## Description

### Shut-off damper with spring return motor – SF 24A or SF 230A

Consists of a DTU damper with a 24 or 230 V electric motor added.

The motor is controlled by a single-pole breaking contact. The motor has overload protection and stops automatically when the blade has reached its end stop. Although the current is connected, the motor is not damaged if blocked.

When system voltage is connected, the motor starts and tensions the return spring at the same time. The motor stops at its end position and is not damaged by blockage, although system voltage remains.

When the power is cut, the damper closes when the drive motor freewheels and the return spring pulls the blade back to its original position.

If you want the damper to open instead of close, you can undo the two nuts on the spindle clamp, turn the spindle 90° and tighten the nuts again.

In outdoor installation, the motor should be protected from direct UV radiation.

The motor is installed at a distance from the damper, which makes it easy to insulate the ventilation duct.

There is a separate assembly, measuring, balancing and maintenance instruction for this product.

Ø 400–630 fullfills pressure class B in closed position.

Ød <sub>1</sub> nom	l mm	m kg	Sealing class past closed blade
400	100	6,32	4
500	115	8,74	4
630	115	10,5	4

## Ordering example

	<b>DTBCU</b>	<b>400</b>	<b>24</b>	<b>SF</b>
Product				
Dimension Ød <sub>1</sub>				
Voltage				
Motor type				

# Motorized shut-off damper

# DTBCU

- 1
- 2
- 3
- 4
- 5
- 6
- 7
- 8
- 9
- 10
- 11
- 12
- 13
- 14
- 15
- 16
- 17
- 18

	<b>SF 24A</b>	<b>SF 230A</b>
Voltage range.....	AC 19,2–28,8 V, 50/60 Hz DC 21,6–28,8 V	AC 195–264 V, 50/60 Hz
Power consumption		
– during operation.....	5 W	6,5 W
– stand-by.....	2,5 W	3,5 W
For wire sizing.....	7,5 VA	18 VA
Connection .....	Cable 1 m, 2×0,75 mm <sup>2</sup>	Cable 1 m, 2×0,75 mm <sup>2</sup>
Operating angle, adjustable.....	Mech. limited to 95°	Mech. limited to 95°
Torque at rated voltage		
– motor .....	Min. 20 Nm	Min. 20 Nm
– spring bias .....	Min. 20 Nm	Min. 20 Nm
Direction of rotation .....	Optional through right or left-hand installation L/R	Optional through right or left-hand installation L/R
Position indication .....	Mechanical	Mechanical
Running time		
– motor .....	≤ 75 s	≤ 75 s
– return spring.....	≤ 20 s	≤ 20 s
Sound power level		
– motor .....	≤ 45 dB (A)	≤ 45 dB (A)
– return spring.....	≤ 62 dB (A)	≤ 62 dB (A)
Degree of protection.....	IP 54	IP 54
Ambient temperature range.....	-30 to +50 °C	-30 to +50 °C

