

Suspension clamp

UVH25

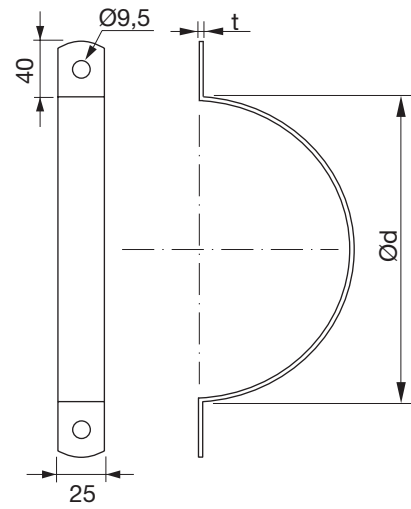


Beschreibung

At insulated duct it is recommended that the suspension clamp is mounted inside the insulation.

N.B. Is sold in pairs. The weight is per pair.

Dimensionen



| Ød nom | t mm | m kg |
|-----------|---------|---------|
| 63 | 2,0 | 0,15 |
| 80 | 2,0 | 0,20 |
| 100 | 2,0 | 0,20 |
| 125 | 2,0 | 0,20 |
| 160 | 2,0 | 0,20 |
| 200 | 2,0 | 0,30 |
| 250 | 2,0 | 0,30 |
| 315 | 2,0 | 0,40 |
| 355 | 2,0 | 0,50 |
| 400 | 2,0 | 0,50 |
| 450 | 2,0 | 0,60 |
| 500 | 2,0 | 0,60 |
| 560 | 2,0 | 0,70 |
| 630 | 2,0 | 0,80 |
| 710 | 2,0 | 0,90 |
| 800 | 2,0 | 1,10 |
| 1000 | 2,0 | 1,30 |
| 1250 | 2,0 | 1,60 |

Bestellbeispiel

