

Transition piece

INRM3

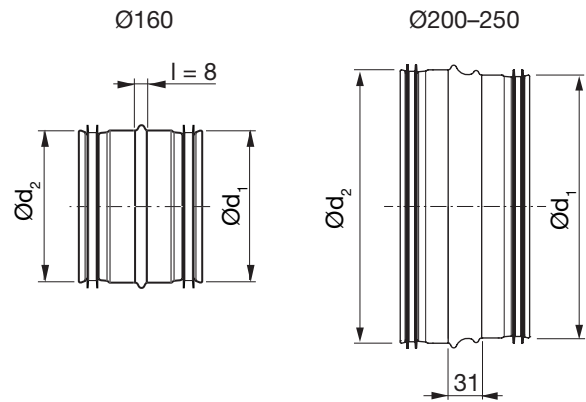


Description

The transition piece is supplied with Lindab Safe rubber seal.

The transition piece is used when connecting the duct system to the bulkhead penetrations.

Dimensions



Ød ₁ nom	Ød ₂ mm	m* kg
160	158	0,26
200	210	0,31
250	263,5	0,57

* = weight can vary ±10%.

Order code

