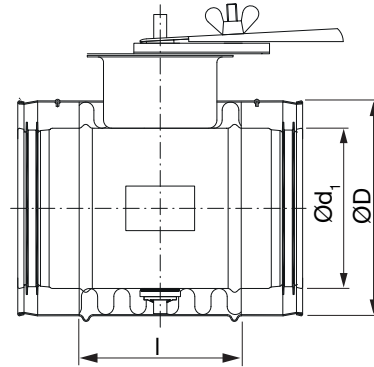


Damper

INDTMU



Dimensions



Description

INDTMU are tight-closing shut-off dampers. The damper is double-jacketed, insulated with mineral wool and supplied with Safe rubber seal on the inner dimension.

With stop bead to ensure correct installation.

Equipped with a handle and a locking mechanism for step-less adjustment of 0–90°.

Ø 80–315 fullfills pressure class C in closed position.

Ød ₁ nom	ØD mm	l mm	m* kg
80	112	100	1,2
100	132	100	1,4
125	157	100	1,5
160	192	100	1,7
180	200	100	1,9
200	232	100	2,1
224	260	100	2,5
250	280	100	3,1
280	315	100	3,4
300	355	100	3,7
315	355	100	4,0

* = weight can vary ±10%.

Order code

