

Bend

INBU 90°

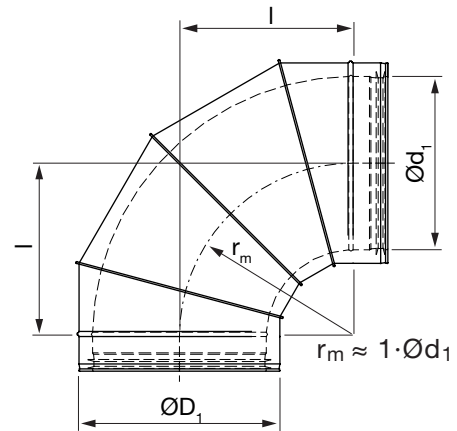


Description

The bend is double-jacketed and insulated with mineral wool, and is supplied with Lindab Safe rubber seal on the inner dimension.

With stop bead at both inner and outer part to ensure correct installation.

Dimensions



Ød ₁ nom	ØD ₁ mm	l mm	m* kg
80	112	100	0,65
100	132	100	0,72
125	157	125	1,08
160	192	160	1,62
180	200	180	1,96
200	232	200	2,22
224	260	225	3,02
250	280	242	3,60
280	315	280	5,18
300	355	300	5,82
315	355	315	6,80

* = weight can vary ±10%.

Order code

