

Transition piece

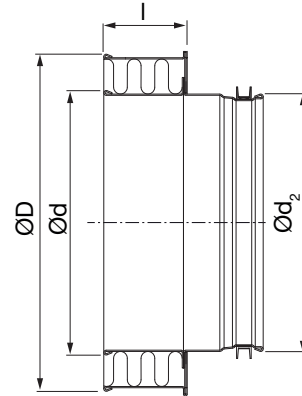
INALFM



Description

The transition piece with female coupling, is double-jacketed and insulated at the large end and supplied with Lindab Safe rubber seal at the small end. It's used when going from insulated to non insulated ductwork.

Dimensions



Ød nom	Ød ₂ mm	ØD nom	l mm	m* kg
80	80	112	40	0,20
100	100	132	40	0,24
125	125	157	40	0,30
160	160	192	40	0,38
180	180	200	40	0,38
200	200	232	40	0,47
224	224	260	40	0,53
250	250	280	60	0,76
280	280	315	60	0,87
300	300	355	60	0,92
315	315	355	60	1,06

* = weight can vary ±10%.

Order code

