

Motorized alternating shut-off damper TATBU



Description

Alternating shut-off damper with electric motor – NM 24 A-F or NM 230 A-F

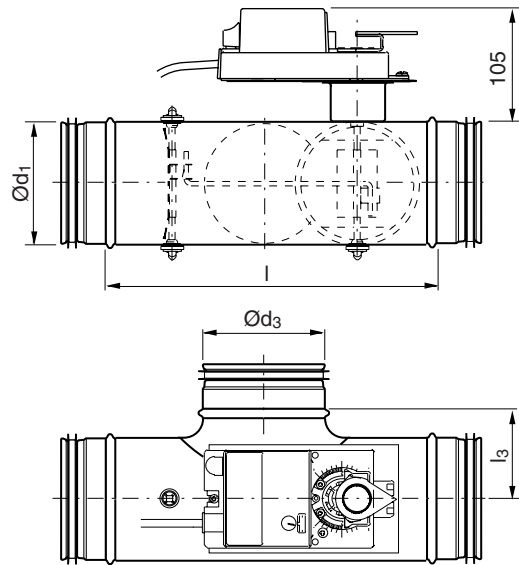
Consists of an extended T-piece with two linked DTU dampers and a 24 or 230 V electric motor installed.

Can be used for "by pass" ducts. This means that it replaces two conventional dampers + two couplings + one T-piece and is 20–30% shorter.

There is a separate assembly, measuring, balancing and maintenance instruction for this product.

Ø 100–400 fullfills pressure class A in closed position.

Dimensions



Ød ₁ nom	Ød ₃ nom	l [mm]	l ₃ [mm]	m [kg]	Sealing class past closed blade
100	100	280	65	2,00	2
125	125	345	83	2,40	2
160	160	385	105	3,00	2
200	200	425	125	3,90	2
250	250	520	150	5,20	2
315	315	585	182	7,40	2
400	400	645	225	10,6	2

Ordering example

	TATBU	400	24	NMF
Product				
Dimension Ød ₁				
Voltage				
Motor type				

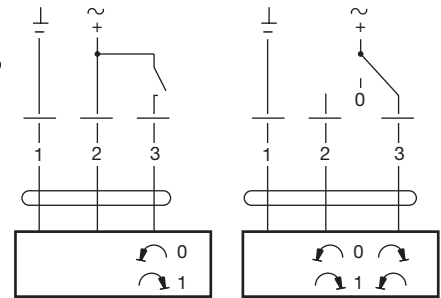


Motorized alternating shut-off damper

TATBU

Technical data for the motors

	NM 24 A-F	NM 230 A-F
Power supply	AC 19,2–28,8 V, 50/60 Hz DC 19,2–28,8 V	AC 85–265 V, 50/60 Hz
Power consumption	1,5 W	2,5 W
For wire sizing	3,5 VA	6 VA
Connection	Cable 1 m, 3×0,75 mm ²	Cable 1 m, 3×0,75 mm ²
Operating angle	Max. 95°, adjustable 0–100%	Max. 95°, adjustable 0–100%
Torque at rated voltage	Min. 10 Nm	Min. 10 Nm
Direction of rotation	Switch selectable 0 ↻ or 1 ↻	Switch selectable 0 ↻ or 1 ↻
Position indication	Mechanical	Mechanical
Running time for 95°	150 s	150 s
Sound power level.....	Max. 35 dB (A)	Max. 35 dB (A)
Protection class.....	III Safety extra-low voltage	II Safety insulated
Protection type	IP 54	IP 54
Ambient temperature range	-30 to +50°C	-30 to +50°C
Ambient moisture	95 % RH	95 % RH



Technical data

The dashed pressure drop curves refer to the flow direction in the right picture.

