

S-bend

LBSR



Description

Used for deflections of the duct system, for example where ducts cross.

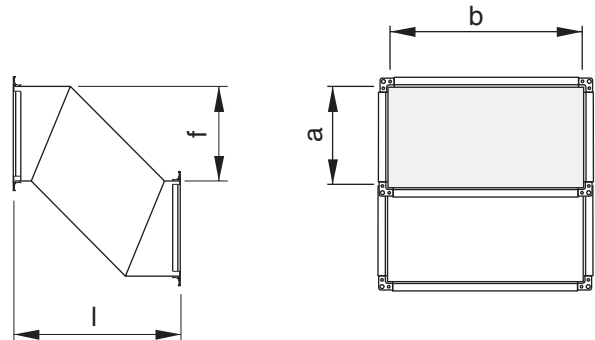
Has a joining profile type RJFP at both ends, and is stiffened by trapezoid corrugations.

A special relationship is needed between the a-dimension, fall f and length l for the LBSR to retain its cross-sectional area and not restrict the air flow. For this reason, standard lengths and standard drops have been prepared.

Ordering example

Product	LBSR	300	600	300	400
Form side	a				
Curved side	b				
Fall	f				
Length	l				

Dimensions



a mm	l std mm	f std mm
100	400	300
150	400	300
200	400	300
250	400	300
300	500	300
350	500	300
400	600	400
450	600	400
500	600	400
600	700	400
700	800	500
800	900	500
900	1000	500
1000	1100	500
1100	1200	500
1200	1300	500
1300	1400	500
1400	1500	500
1500	1600	500
1600	1700	500
1800	1900	500
2000	2100	500