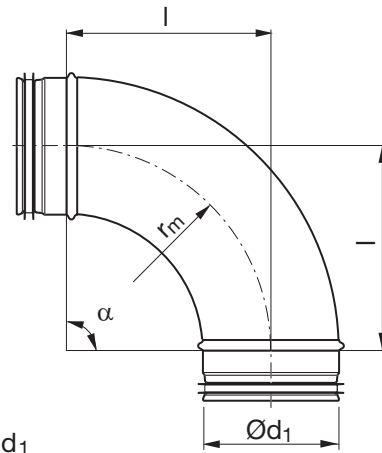


Bend – long

BSU 90°



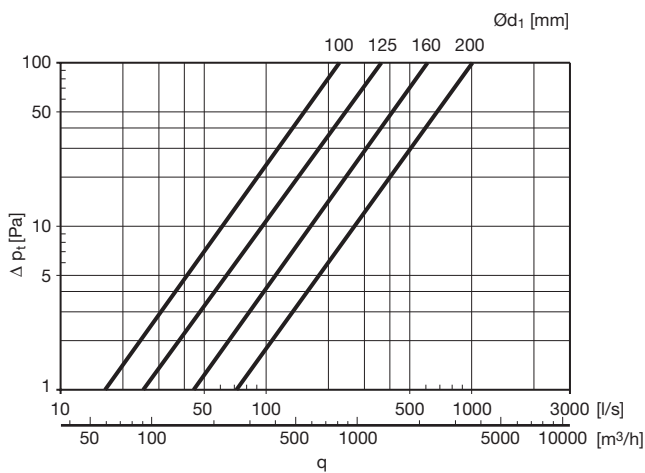
Dimensions



$r_m \approx 1,5 \cdot d_1$

Description

Pressed and seam welded bend.



Ød ₁ nom	l [mm]	m [kg]
100	150	0,50
125	190	0,79
150	225	0,95
160	240	1,14
180	270	1,50
200	300	1,55

Ordering example

