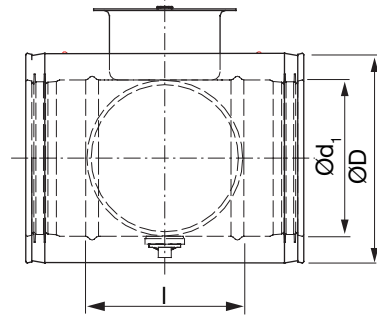


Damper

INDTU



Dimensions



Description

Insulated tight close damper. The damper is double-jacketed and insulated with mineral wool and is supplied with Safe rubber seal on the inner dimension.

With stop bead to ensure correct installation.

Ød ₁ nom	ØD mm	l mm	m* kg
80	112	100	0,72
100	132	100	0,87
125	157	100	1,04
160	192	100	1,30
180	200	100	1,42
200	232	100	1,72
224	260	100	2,19
250	280	100	2,68
280	315	100	3,00
300	355	100	3,25
315	355	100	3,50

Order code

