

Bend, isol

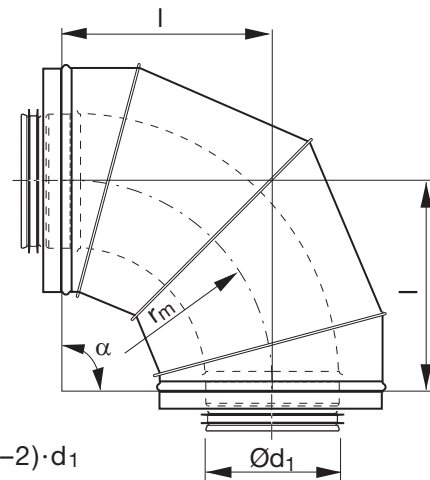
BFUI 90°



Description

The bend is double-jacketed and insulated with mineral wool, and is supplied with Safe rubber seal in the inner dimension. The inner bend is build in segments.

Dimensions



$$r_m \approx (1-2) \cdot d_1$$

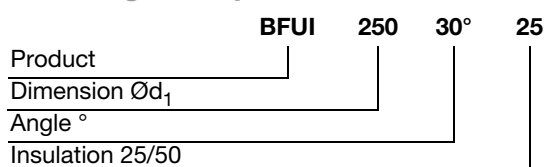
25 mm insulation.

Ød nom	l [mm]	m [kg]
160	200	4,40
200	250	5,40
250	300	6,80
300	355	9,70
315	355	11,4
355	400	15,8
400	450	21,5
450	500	26,7
500	560	32,9

50 mm insulation.

Ød nom	l [mm]	m [kg]
160	260	5,80
200	300	7,30
250	355	8,90
300	400	12,5
315	400	14,7
355	450	20,6
400	500	25,3
450	560	31,8
500	600	38,9

Ordering example



Bend, isol

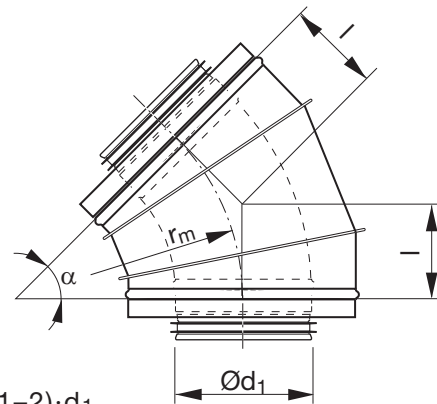
BFUI 45°



Description

The bend is double-jacketed and insulated with mineral wool, and is supplied with Safe rubber seal in the inner dimension. The inner bend is build in segments.

Dimensions



$$r_m \approx (1-2) \cdot d_1$$

25 mm insulation.

$\varnothing d$ nom	l [mm]	m [kg]
160	83	2,40
200	104	3,00
250	124	3,80
300	145	5,80
315	147	4,60
355	166	8,80
400	186	14,4
450	207	15,4
500	232	19,0

50 mm insulation.

$\varnothing d$ nom	l [mm]	m [kg]
160	108	3,40
200	124	4,20
250	147	5,10
300	166	7,30
315	166	8,60
355	186	12,0
400	207	14,4
450	232	18,2
500	249	22,3

Bend, isol

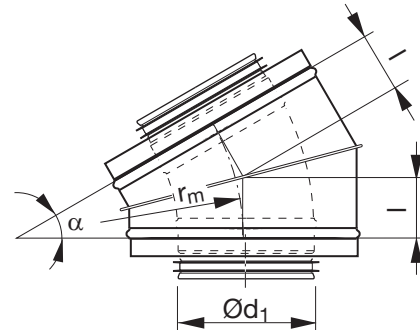
BFUI 30°



Description

The bend is double-jacketed and insulated with mineral wool, and is supplied with Safe rubber seal in the inner dimension. The inner bend is build in segments.

Dimensions



$$r_m \approx (0,8-2) \cdot d_1$$

25 mm insulation.

Ød nom	l [mm]	m [kg]
160	54	2,10
200	67	2,60
250	80	3,30
300	95	4,70
315	95	3,60
355	107	5,90
400	122	9,20
450	135	11,2
500	151	13,8

50 mm insulation.

Ød nom	l [mm]	m [kg]
160	70	2,90
200	80	3,60
250	95	4,20
300	107	5,40
315	107	6,30
355	122	8,80
400	134	10,7
450	150	13,2
500	161	16,0