

# Lindab **Atrium Plana**

Installation instruction

Installationsvejledning

Montageanvisning

Asennusohje

Montageanleitung

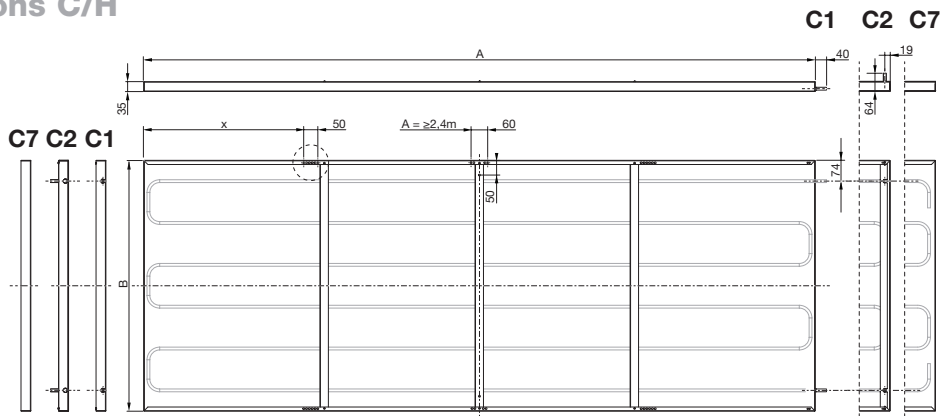
Istruzioni di montaggio

Instruction de montage



# Atrium Plana Installation

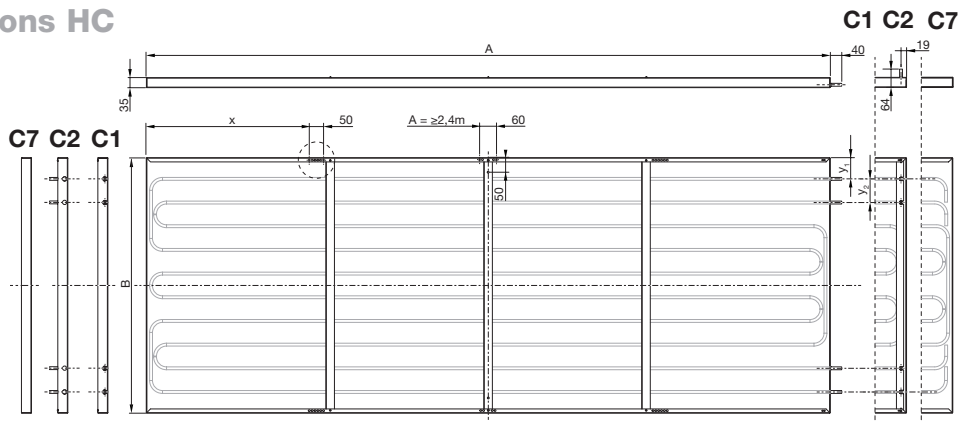
## Dimensions C/H



Type	B Width [ mm ]	Dry weight [ kg / m ]	Water content [ l / m ]	L					
				600	1200	1800	2400	3000	3600
				A [ mm ]					
C-40 / H-40	392	2.1	0.4022	588	1188	1788	2388	2988	3588
C-60 / H-60	592	3.0	0.8044						
C-90 / H-90	892	5.4	1.2066						
C-120 / H-120	1192	7.5	1.6088						
	x [ mm ]			119	269	419	204	204	204
	Copper pipes quality			EN 12735-2 CU-DHP					
	Pressure class			PN10					

Tolerances for deflection: max. 2 mm deflection per 1 m off panel length/width.

## Dimensions HC



Type	B Width [ mm ]	Dry weight [ kg / m ]	Water content [ l / m ]	y <sub>1</sub> [ mm ]	y <sub>2</sub> [ mm ]	L					
						600	1200	1800	2400	3000	3600
						A [ mm ]					
HC-40	392	2.2	0.844	74	81	588	1188	1788	2388	2988	3588
HC-60	592	3.2	1.6088	37	68						
HC-90	892	5.5	2.011	74	83						
HC-120	1192	7.6	2.4132	74	95						
	x					119	269	419	204	204	204
	Copper pipes quality			EN 12735-2 CU-DHP							
	Pressure class			PN10							

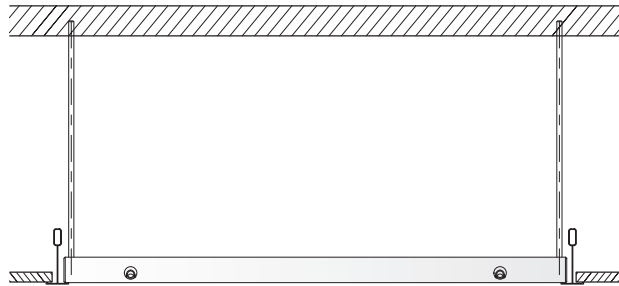
Tolerances for deflection: max. 2 mm deflection per 1 m off panel length/width.

# Atrium Plana Installation

## Installation types

1

Recessed in suspended ceiling  
 Indbygget i nedhængt loft  
 Infälld i undertak  
 Uputus alakattoon  
 In abgehängte Decke integriert  
 Incasso nel controsoffitto  
 Encastré dans le plafond suspendu



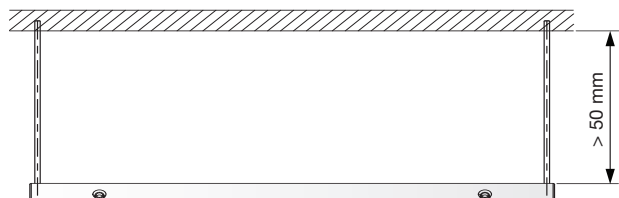
2

Exposed, sealed to ceiling  
 Synlig, fastgjort direkte i loftet  
 Synlig, ej frihængende  
 Esillä, suoraan katon pinnassa  
 Sichtbar, an der Decke montiert  
 A vista, sigillato al soffitto  
 Exposé, scellé au plafond



3

Exposed, free hanging  
 Synlig, frithængende  
 Synlig, frihængende  
 Esillä, riippuva  
 Freiliegend, freihängend  
 A vista, sosceso libero  
 Pose libre et exposée



# Atrium Plana Installation

## Connection – Water

Mulige tilslutninger – Vand

Anslutningsmöjligheter – Vatten

Liitosvaihtoehdot – Vesi

Anschlussmöglichkeiten – Wasser

Connessioni possibili – Acqua

Connexions possibles – Eau

### Symbols Symboler Symbole Symbolit Symbole Simboli Symbole

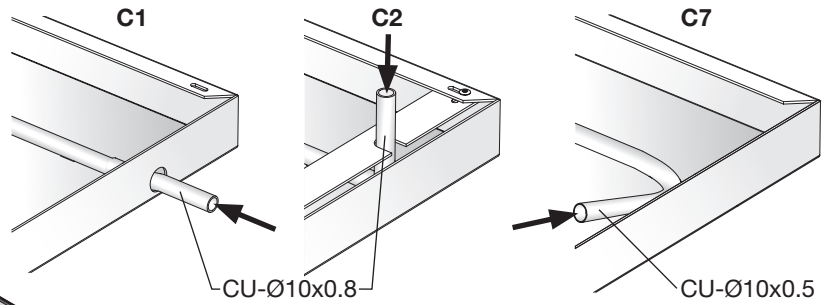


**UK** - Hot water  
**DK** - Varmt vand  
**SE** - Varmt vatten  
**FI** - Kuuma vesi  
**DE** - Heißes Wasser  
**IT** - Acqua calda  
**FR** - Eau chaude

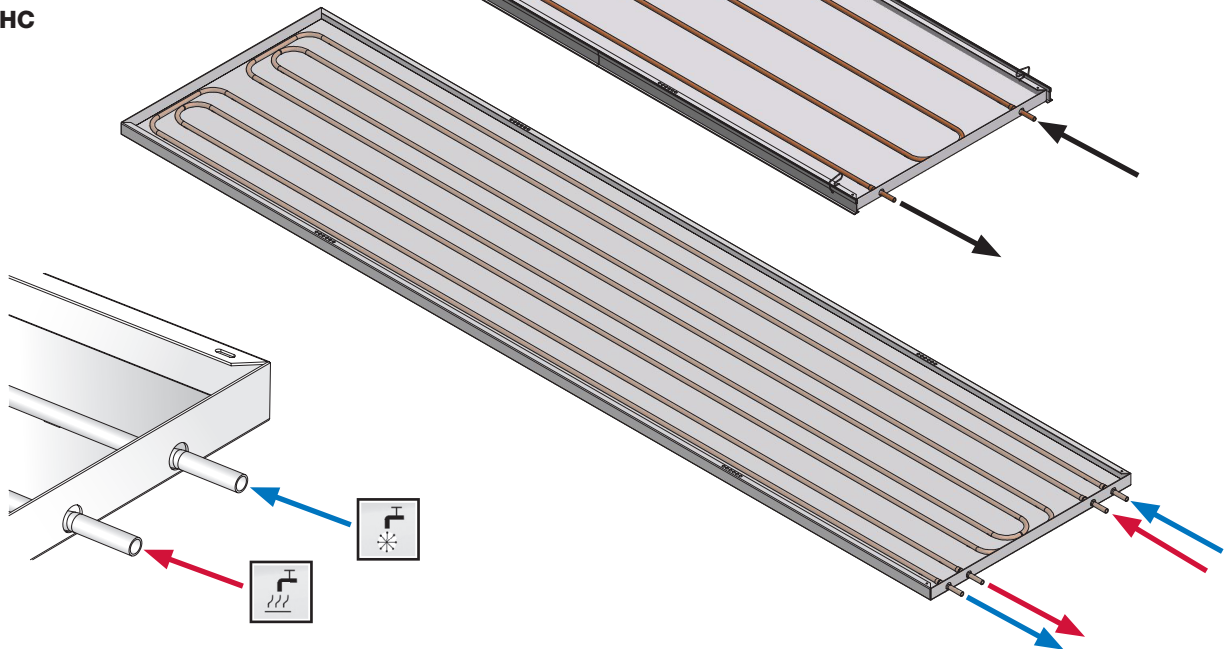


**UK** - Cold water  
**DK** - Koldt vand  
**SE** - Kallt vatten  
**FI** - Kylmä vesi  
**DE** - Kaltes Wasser  
**IT** - Acqua fredda  
**FR** - Eau froide

## Type C/H



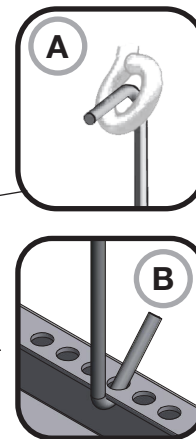
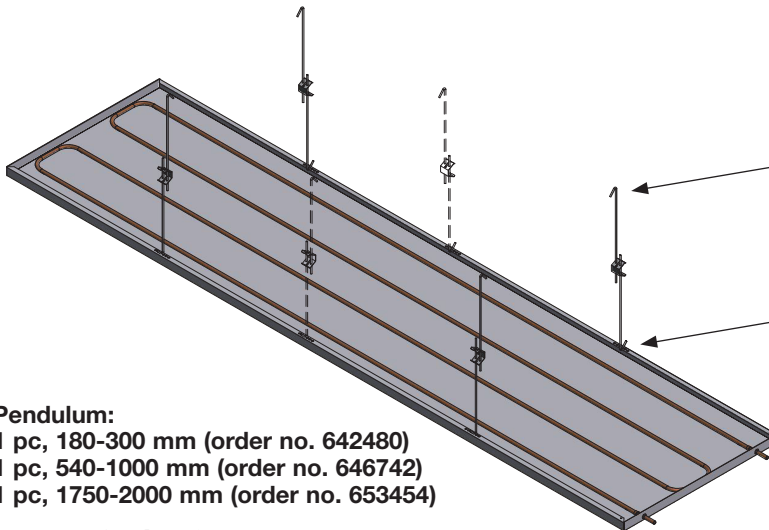
## Type HC



**UK** - Connect water with push-on or compression couplings or similar. Use the support sleeves. Do not solder!  
**DK** - Tilslut vand med push-on eller kompressionsfittings eller lignende. Anvend støttebøsningerne. Lod ikke.  
**SE** - Anslut vattenrören med Push-on, klämmningskoppling eller liknande. Använd stödhyllsor. Löd ej!  
**FI** - Tee putkiliitos push-on-pikalitoksella, puristusliitoksella tai vastaavalla. Käytä tukiholkkia. Älä juota!  
**DE** - Wasser mit Steck-, Kompressionskupplungen oder ähnlichem verbinden. Verwenden Sie die Stützhülsen. Löten Sie nicht!  
**IT** - Connect water with push-on or compression couplings or similar. Use the support sleeves. Do not solder!  
**FR** - Connect water with push-on or compression couplings or similar. Use the support sleeves. Do not solder!

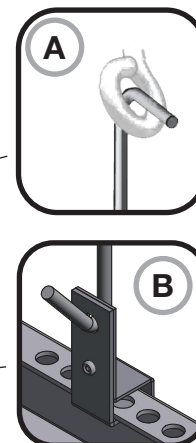
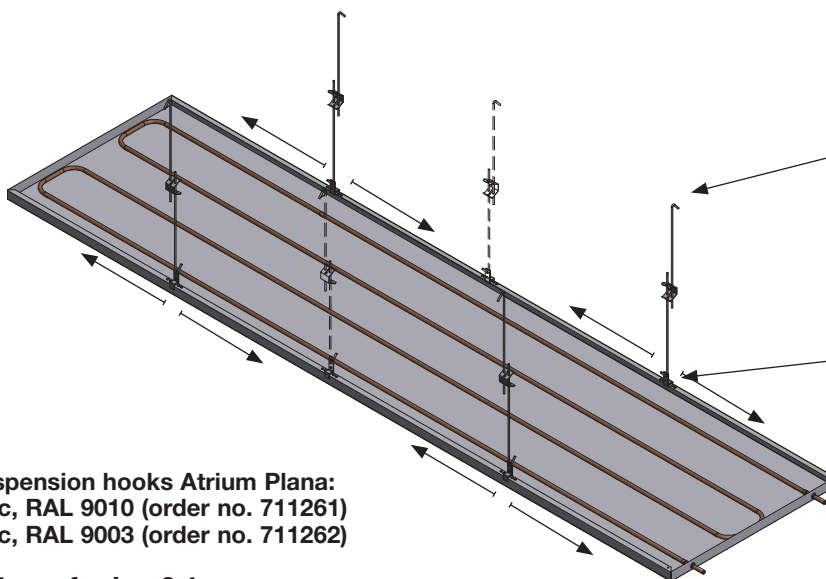
# Atrium Plana Installation

**Mounting accessories – Pendulum**  
**Montage tilbehør – Pendler**  
**Montagetillbehör – Pendulum**  
**Asennuslisävarusteet – Pendulum**  
**Montagezubehör – Pendelaufhängung**  
**Accessori di montaggio – Pendulum**  
**Accessoires de montage – Pendulum**



**Pendulum:**  
 1 pc, 180-300 mm (order no. 642480)  
 1 pc, 540-1000 mm (order no. 646742)  
 1 pc, 1750-2000 mm (order no. 653454)  
  
 1. 4 pcs for  $L < 2.4$  m  
 2. 6 pcs for  $L \geq 2.4$  m

**Mounting accessories – Pendulum + Suspension hook**  
**Montage tilbehør – Pendler + Montagebeslag**  
**Montagetillbehör – Pendulum + Montagebeslag**  
**Asennuslisävarusteet – Pendulum + Suspension hook**  
**Montagezubehör – Pendelaufhängung + Suspension hook**  
**Accessori di montaggio – Pendulum + Suspension hook**  
**Accessoires de montage – Pendulum + Suspension hook**



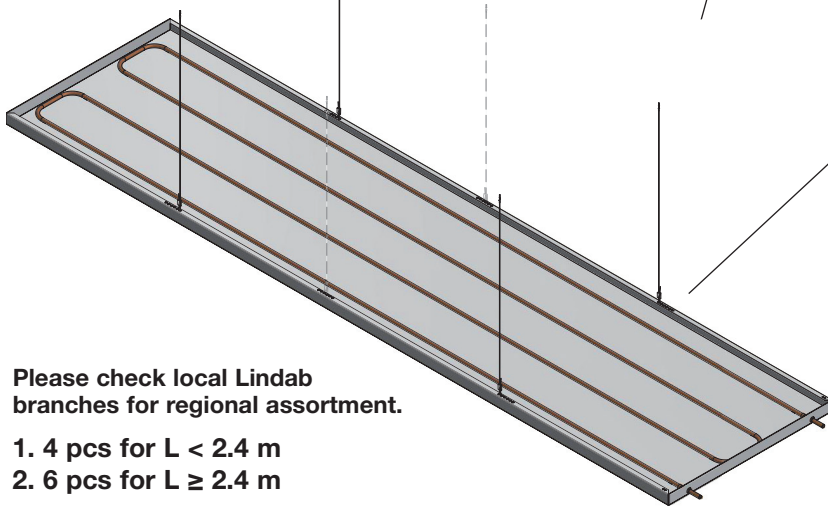
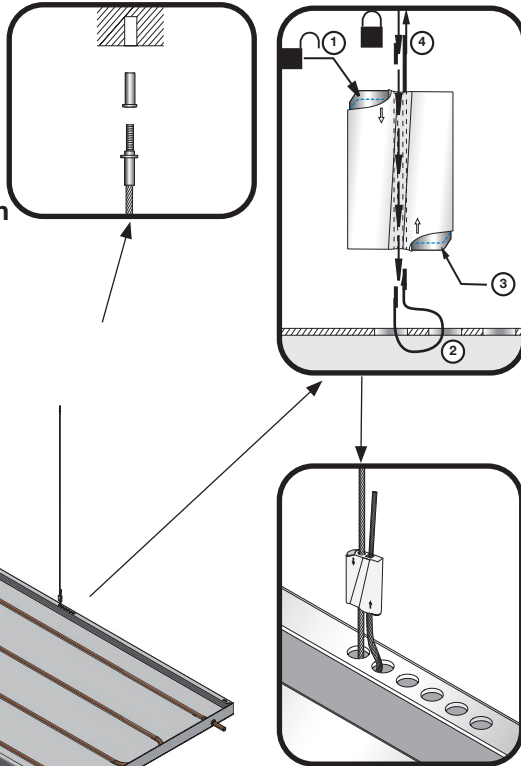
**B Suspension hook**



**Suspension hooks Atrium Plana:**  
 1 pc, RAL 9010 (order no. 711261)  
 1 pc, RAL 9003 (order no. 711262)  
  
 1. 4 pcs for  $L < 2.4$  m  
 2. 6 pcs for  $L \geq 2.4$  m

# Atrium Plana Installation

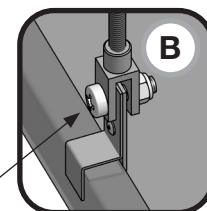
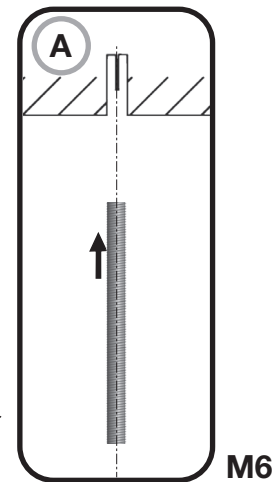
**Mounting accessories – Wiring hanger system**  
**Montage tilbehør – Wiring hanger system**  
**Montagetillbehör – Wiring hanger system**  
**Asennuslisävarusteet – Wiring hanger system**  
**Montagezubehör – Wiring hanger system**  
**Accessori di montaggio – Wiring hanger system**  
**Accessoires de montage – Wiring hanger system**



Please check local Lindab branches for regional assortment.

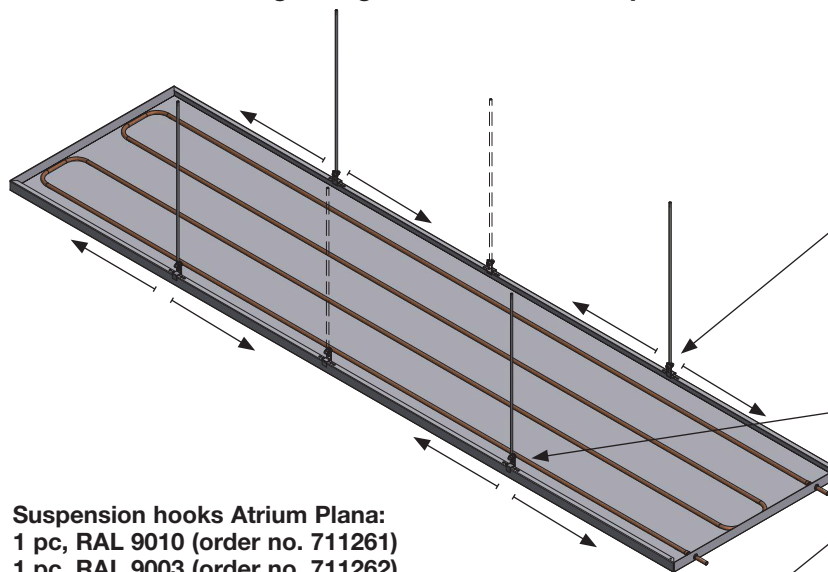
- 1. 4 pcs for  $L < 2.4$  m
- 2. 6 pcs for  $L \geq 2.4$  m

**Mounting accessories – Threaded rod M6 + Suspension hook**  
**Montage tilbehør – Gevindstang M6 + Suspension hook**  
**Montagetillbehör – Gängstång M6 + Montagebeslag**  
**Asennuslisävarusteet – Kierretanko M6 + Suspension hook**  
**Montagezubehör – Gewindestange M6 + Suspension hook**  
**Accessori di montaggio – Barre filettate M6 + Suspension hook**  
**Accessoires de montage – Tiges filetées M6 + Suspension hook**



M6

**B** Suspension hook



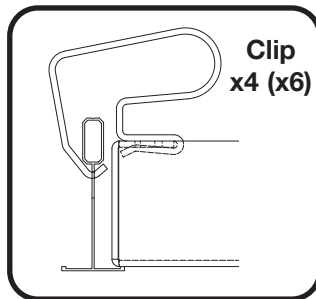
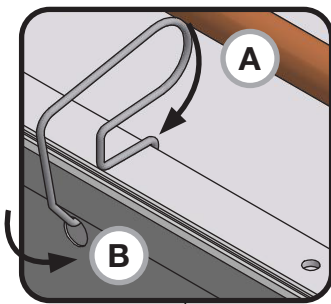
**Suspension hooks Atrium Plana:**  
 1 pc, RAL 9010 (order no. 711261)  
 1 pc, RAL 9003 (order no. 711262)

- 1. 4 pcs for  $L < 2.4$  m
- 2. 6 pcs for  $L \geq 2.4$  m

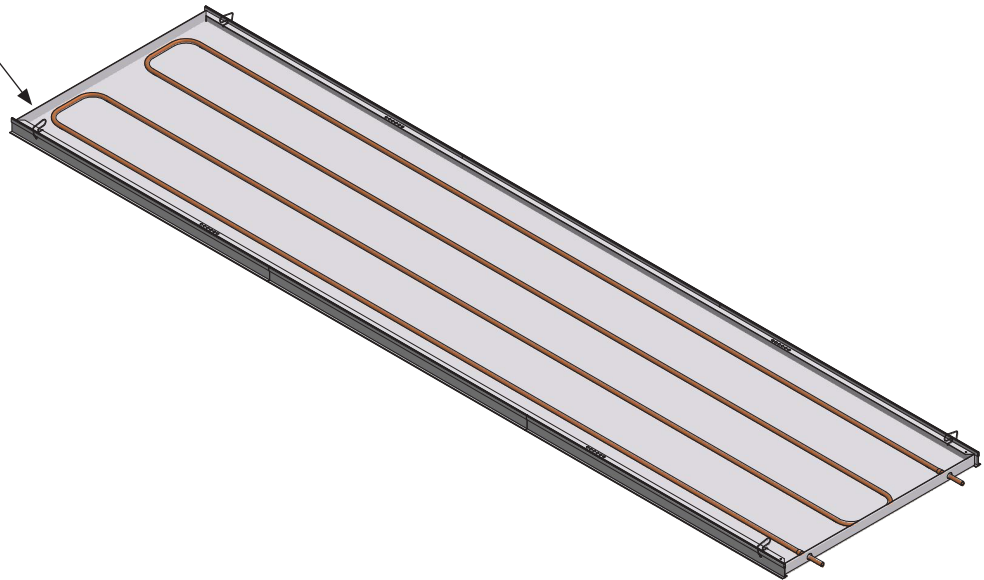
Screw:  
M6

# Atrium Plana Installation

**Mounting in ceiling**  
**Montage i loft**  
**Montage i tak**  
**Asennus alakattoon**  
**Montage in der Zwischendecke**  
**Installazione a soffitto**  
**Montage en plafond**



**Clip**  
**x4 (x6)**  
**Ceiling Clips Atrium Plana:**  
**1 pc, (order no. 167676)**



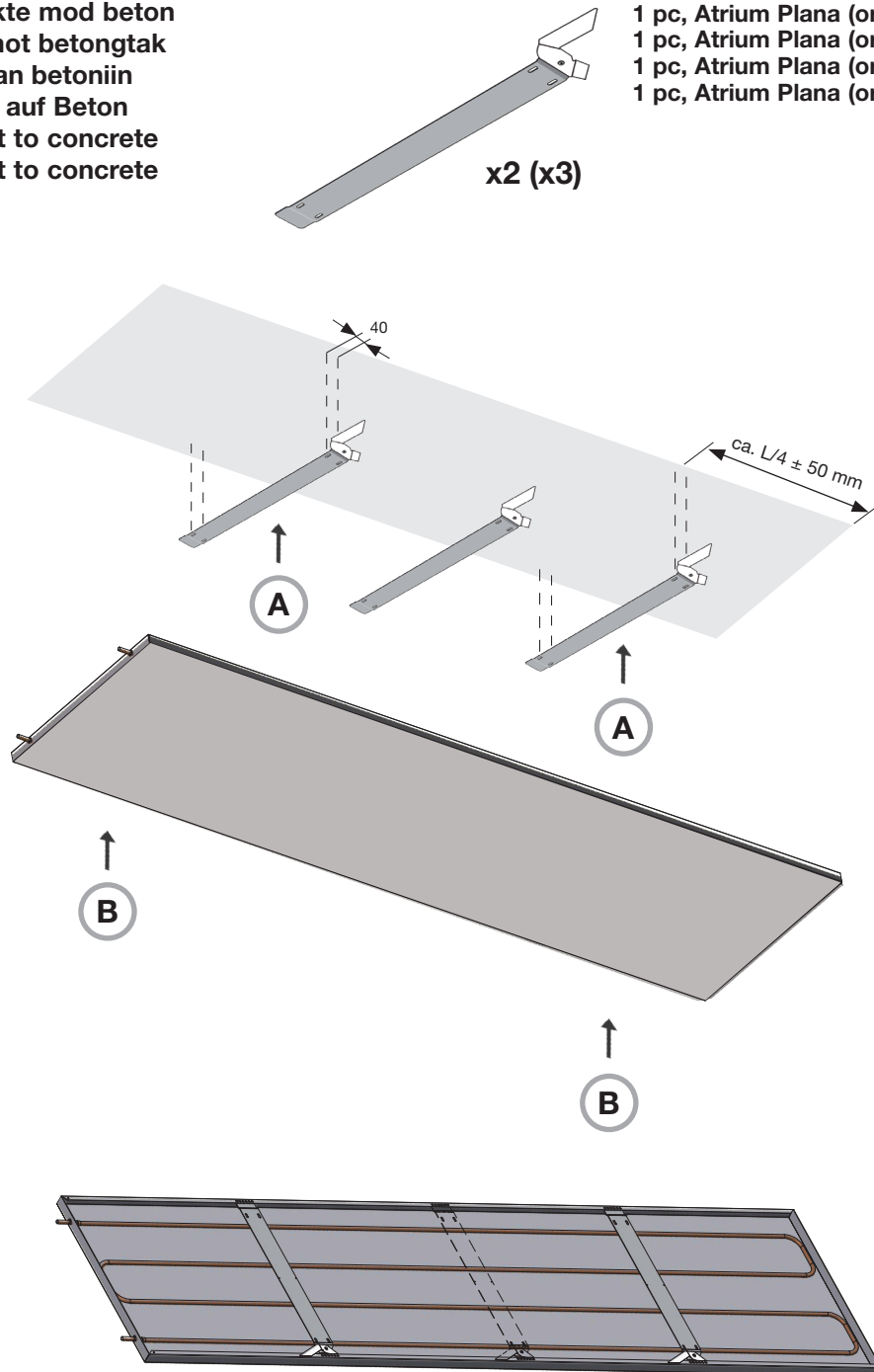
**1. 4 pcs for L < 2.4 m**  
**2. 6 pcs for L ≥ 2.4 m**

**UK** - The ceiling clips are not included in the delivery and can be ordered as separate accessories  
**DK** - Monteringsclips er ikke inkluderet i levering og skal bestilles separat  
**SE** - The ceiling clips are not included in the delivery and can be ordered as separate accessories  
**FI** - The ceiling clips are not included in the delivery and can be ordered as separate accessories  
**DE** - The ceiling clips are not included in the delivery and can be ordered as separate accessories  
**IT** - The ceiling clips are not included in the delivery and can be ordered as separate accessories  
**FR** - The ceiling clips are not included in the delivery and can be ordered as separate accessories

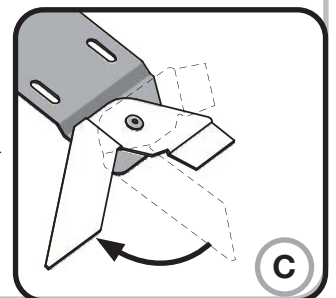
# Atrium Plana Installation

Mounting direct to concrete  
 Montering direkte mod beton  
 Montage dikt mot betongtak  
 Asennus suoraan betoniin  
 Montage direkt auf Beton  
 Mounting direct to concrete  
 Mounting direct to concrete

Mounting brackets:  
 1 pc, Atrium Plana (order no. 167671)  
 1 pc, Atrium Plana (order no. 167670)  
 1 pc, Atrium Plana (order no. 167673)  
 1 pc, Atrium Plana (order no. 167672)



1. 4 pcs for  $L < 2.4$  m  
 2. 6 pcs for  $L \geq 2.4$  m





# Atrium Plana Installation

## UK - Insulation of heating panels

The top of the H- and HC panels are insulated with extruded polystyrene foam and should not be placed in direct sunshine or underneath other heating- or ignition sources. Sparks and smoke must be avoided. Keep places dry and ventilated and take precautions against static electricity.

The foamed plastic is manufactured without the addition of CFC or HCFC gas, i.e. Freons.

For full technical data sheet please contact Lindab.

## DK - Isolering af varmeelementer

Toppen af Atrium H- og Loggiapaneler er isoleret med ekstruderet polystyrenskum. Overfladen med polystyrenskum må ikke placeres i direkte sollys eller under andre opvarmnings- eller antændingskilder. Gnister og røg i nærheden af polystyrenskummet skal undgås. Panelerne skal monteres i et tørt og ventileret område og tag forholdsregler mod statisk elektricitet.

Isoleringen er fremstillet uden tilsætning af CFC eller HCFC gas dvs. freon.

Kontakt Lindab ved behov for yderligere tekniske data.

## SE - Isolering av värmepaneler

Ovansidan av H och HC panelerna är isolerade med formpressad polystyrenskum och bör ej placeras i direkt solljus eller under annan värme- eller antändningskälla. Gnistor och rök ska undvikas.

Se till att hålla ytorna torra och ventilerade samt vidta försiktighetsåtgärder mot statisk elektricitet.

Den formpressade plasten är tillverkad utan tillsats av CFC eller HCFC t.ex. freoner.

Kontakta Lindab för fullständig teknisk data.

## FI - Lämmityslevyjien eristys

H- ja HC-paneelit voidaan toimittaa lisävarusteisella polystyreenilevyllä eristämään paneelin yläpinta. Eristepinta ei saa olla suorassa auringonvalossa tai lähellä kuumia pintoja. Kipinöitä ja savukaasuja tulee välttää. Pidä pinta kuivana ja huolehdi staattisen sähkön poistamisesta.

Eristelevy on valmistettu ilman CFC, HCFC tms. freoneja.

Tarvittaessa pyydä tarkemmat tekniset tiedot Lindabilta.

## DE - Isolierung von Heizpaneelen

Die Oberseite der H- und HC-Paneele ist mit extrudiertem Polystyrolschaum isoliert und sollte nicht dem direktem Sonnenlicht ausgesetzt werden oder unterhalb anderer Heiz- oder Zündquellen platziert. Funken und Rauch müssen vermieden werden. Halten Sie die Orte trocken und belüftet und treffen Sie Vorkehrungen gegen statische Elektrizität.

Der geschäumte Kunststoff wird ohne Zusatz von FCKW oder HFCKW-Gas (Freons) hergestellt.

Für ein vollständiges technisches Datenblatt wenden Sie sich bitte an Lindab.

## IT - Isolamento di pannelli di riscaldamento

”La parte superiore dei pannelli tipo H e HC è isolato con polistirene estruso, se ne sconsiglia l’installazione a diretto contatto con la luce solare o in prossimità di fonti di calore. Evitare il contatto con scintille e fumi caldi. Si raccomandano l’installazione in luoghi ventilati e adeguate precauzioni contro le correnti statiche.

Le plastiche sono prodotte senza l’aggiunta di gas CFC o HCFC (es: Freon).

Per dettagli tecnici completi contattare Lindab.”

## FR - Isolation des panneaux chauffants

The top of the H- and HC panels are insulated with extruded polystyrene foam and should not be placed in direct sunshine or underneath other heating- or ignition sources. Sparks and smoke must be avoided. Keep places dry and ventilated and take precautions against static electricity.

The foamed plastic is manufactured without the addition of CFC or HCFC gas, i.e. Freons.

For full technical data sheet please contact Lindab.



Most of us spend the majority of our time indoors. Indoor climate is crucial to how we feel, how productive we are and if we stay healthy.

We at Lindab have therefore made it our most important objective to contribute to an indoor climate that improves people's lives. We do this by developing energy-efficient ventilation solutions and durable building products. We also aim to contribute to a better climate for our planet by working in a way that is sustainable for both people and the environment.

[Lindab | For a better climate](#)