



Lindab **Munio**

Quick installations guide



Quick installations guide

Munio

Symbols



Hot water



Locked



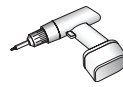
Cold water



Unlocked



Hand-pull



Drill-machine



Heavy Load - 2 man job - It is recommended to use a "lift" for mounting.



Warning: Sharp edges



Vacuum cleaner



Dust-cleaner

Tools



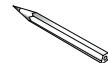
Knife



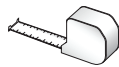
Gloves



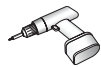
Shoes with soft soles



Pencil



Tape measure



Drill machine



Percussion drill



Tectite tool



Spanner



Crowbar



Tectite tool small



Screwdriver

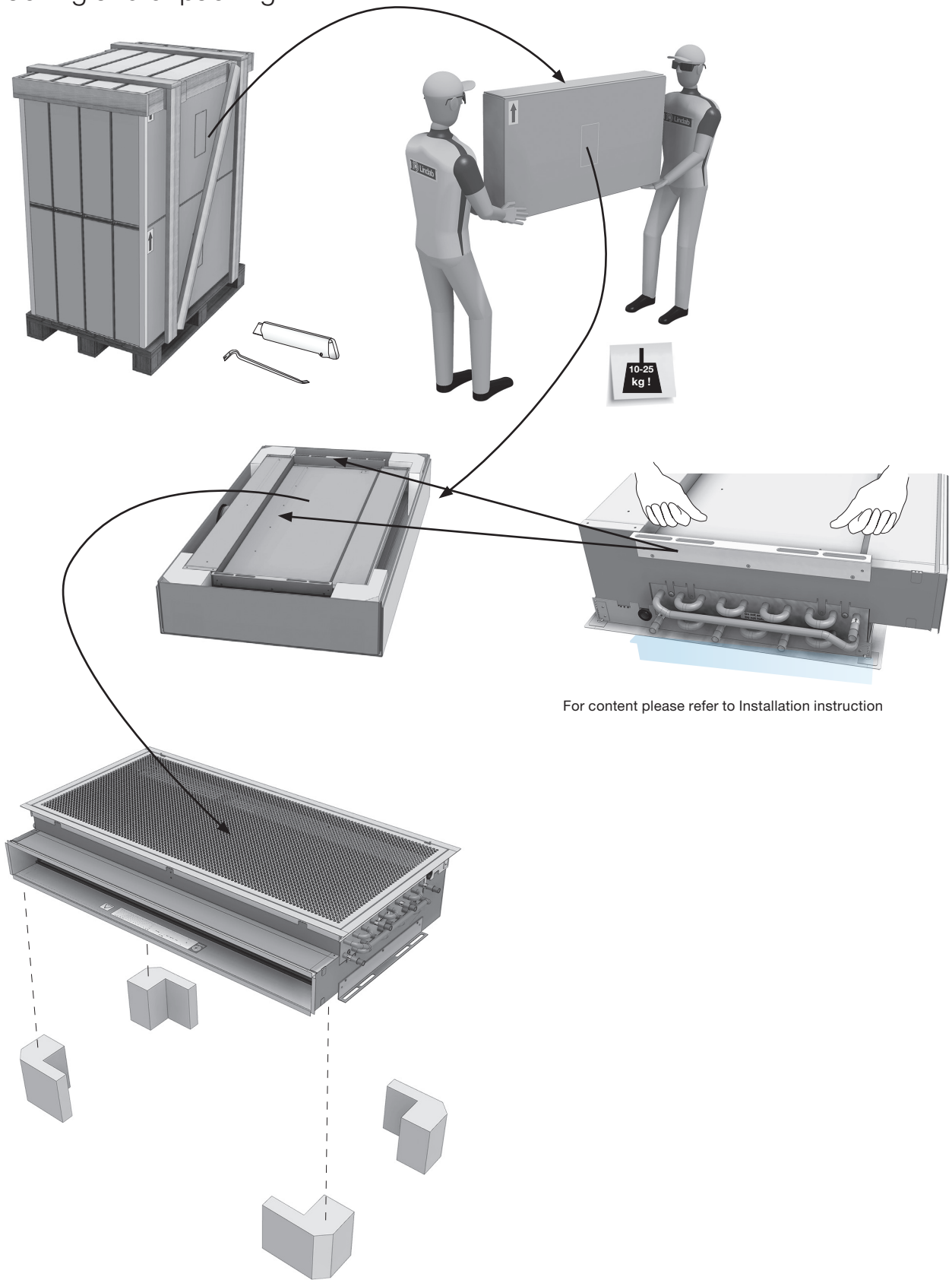


Spirit level

Quick installations guide

Munio

Packing and unpacking



For content please refer to Installation instruction

Quick installations guide

Munio

Order code label



Order : xx-xxxxx

Pos : xx

Munio-I-xxx-12-125-AX x,xx m

Pressure: AA Pa | **Flow: BB l/s**

Project : xxxxxx xxxxxxxx

Mark : xxxxx

Nozzles: N/A | **Plugs: N/A** | **Sign. : _____**

Product ID : xxxxxxxx

Munio	-I	XXXX	12	125	AX	AA	BB	yy	zzzz
		<p>800 1000 1200 1400</p> <p>x 2</p> <p>x 2</p>	<p>Ø12 (2x2)</p>	<p>A5/ A6</p>	<p>- Preset static pressure before nozzles [Pa]</p>	<p>- Preset airflow [l/s]</p>	<p>00 = without inlet faceplate</p> <p>01 = faceplate for ceiling type 1</p> <p>03 = faceplate for ceiling type 3</p> <p>3E = faceplate for ceiling type 3 with extra access</p> <p>3S = faceplate for ceiling type 3 for separate installation</p> <p>21 = faceplate for ceiling type 21</p>	<p>0000 = without inlet faceplate</p> <p>9003 = faceplate RAL 9003</p> <p>9010 = faceplate RAL 9010</p>	

Product labelling

Order : xx-xxxxx

Pos : xx

Munio-I-xxx-12-125-AX x,xx m

Pressure: AA Pa | **Flow: BB l/s**

Project : xxxxxx xxxxxxxx

Mark : xxxxx

Nozzles: N/A | **Plugs: N/A** | **Sign. : _____**

Product ID : xxxxxxxx

x1

x2

x2

1

2

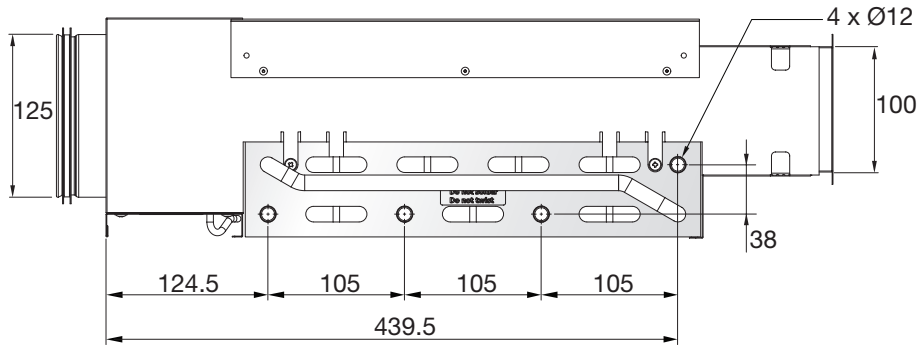
JetCones			
Date	ΔP _{stat} [Pa]	q _v [l/s]	Signature

Pressure of jetCone adjustment pins

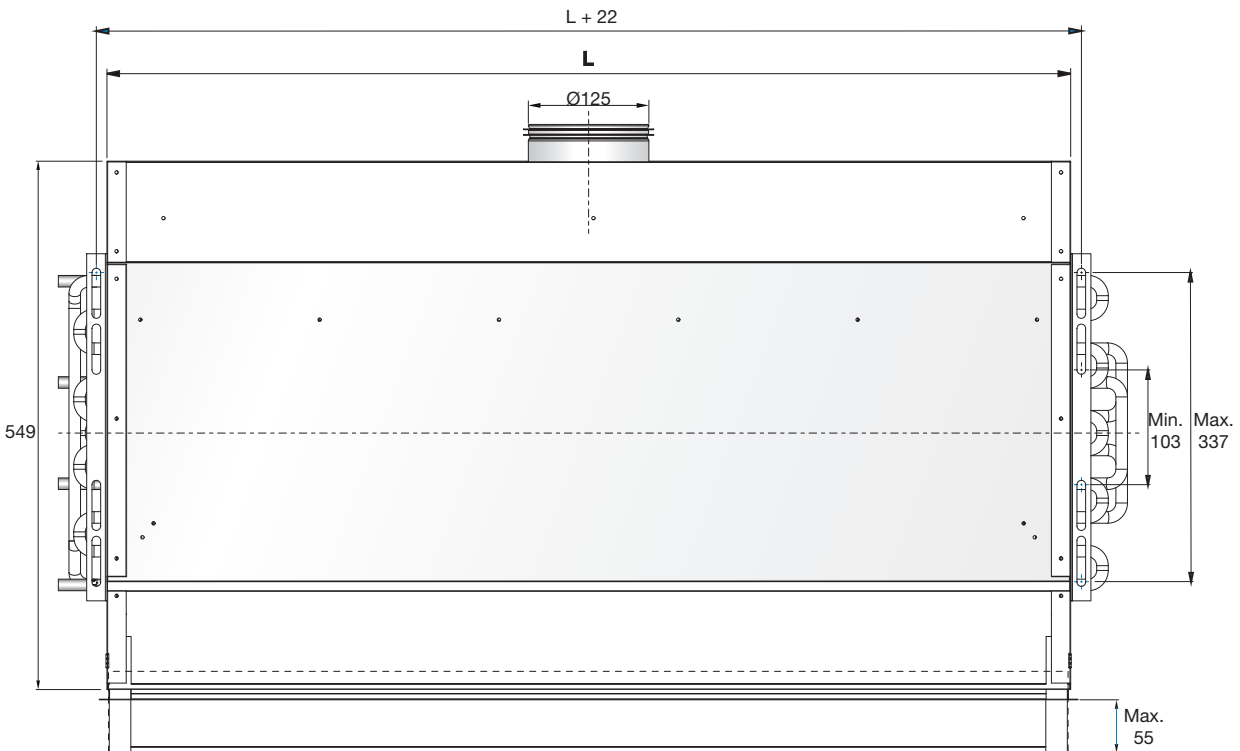
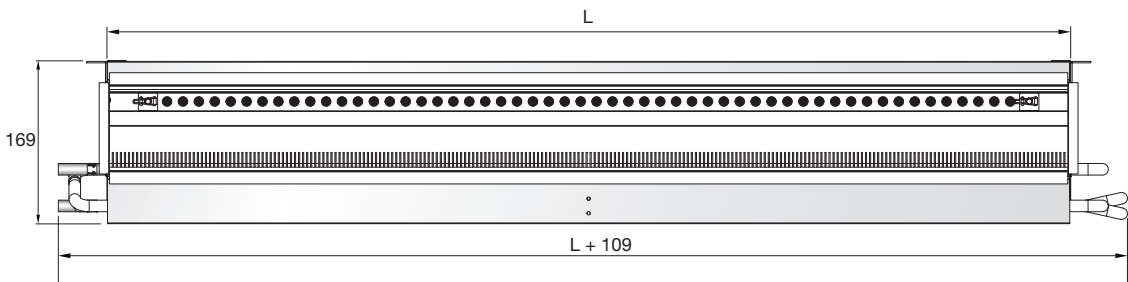
Quick installations guide

Munio

Dimensions



L = 800, 1000, 1200, 1400 mm
L = Nominal length (order length)



Quick installations guide

Munio

Material data

Type	Munio I-800	Munio I-1000	Munio I-1200	Munio I-1400
Dry weight [kg]	12.1	14.7	17.3	19.9
Water content, cooling [l]	1.63	2.04	2.44	2.85
Water content, heating [l]	0.18	0.23	0.27	0.32
Copper pipes quality	EN 12735-2 CU-DHP			
Pressure class	PN10			

Environmental Declarations

Please follow the links below

- [Building product declaration](#)
- [Declaration of conformity](#)
- [Eurovent certificate](#)

Pressure Class

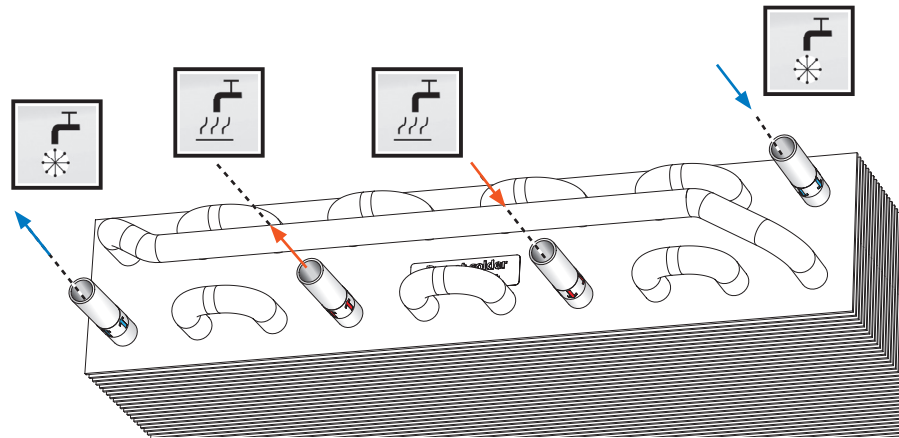
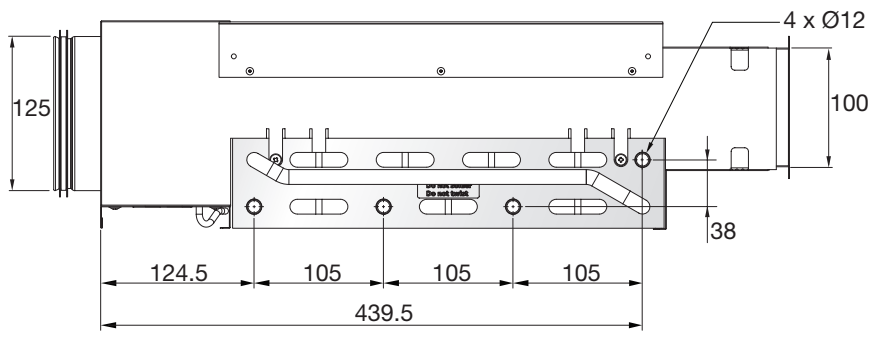
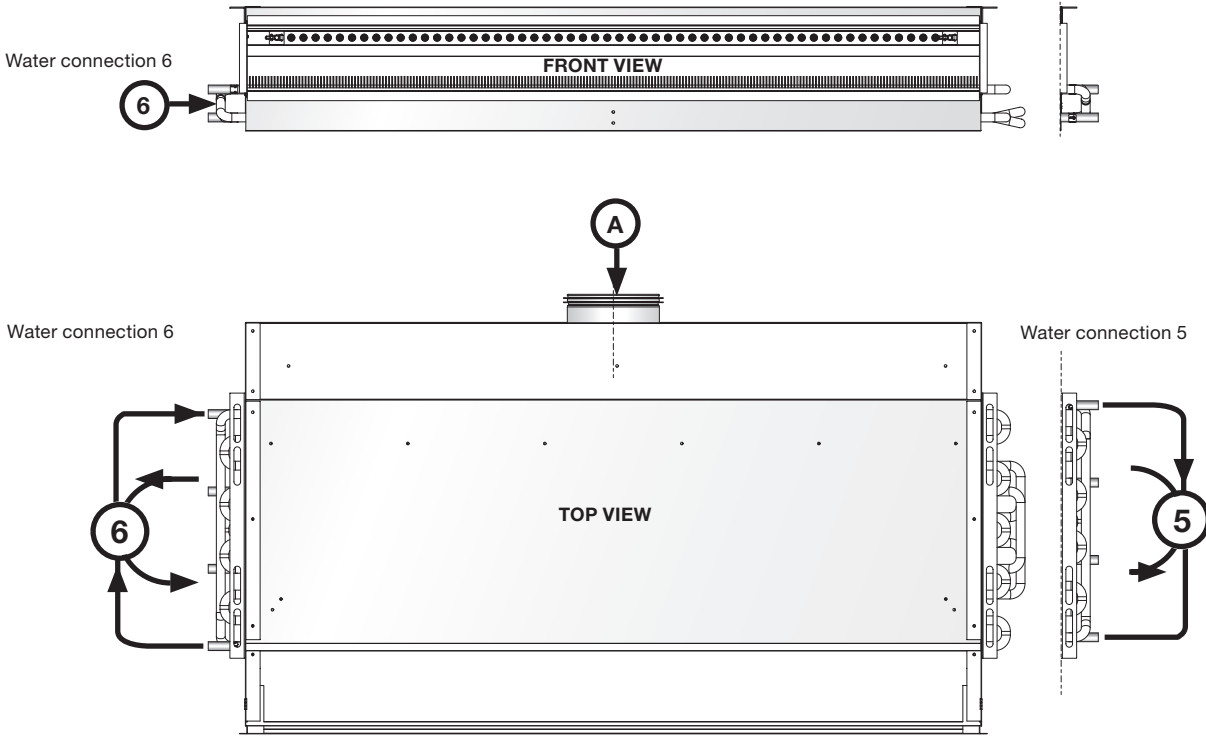
The waterborne products in Lindab, active chilled beams (battery products), passive chilled beams (battery and strips products), facade units (battery) and radiant panels (strips and panels) are produced according to pressure class PN10 according to EN 1333: 2006.

This means the maximal working pressure for the products at a water temperature of 20 °C must not exceed 10 bar.

Quick installations guide

Munio

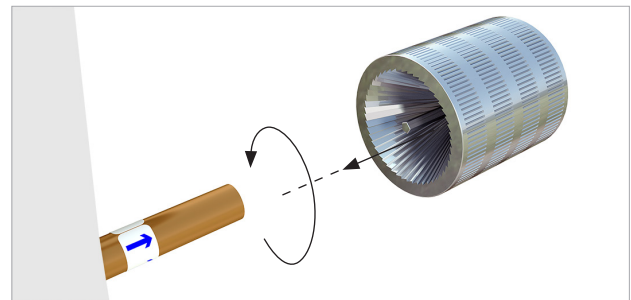
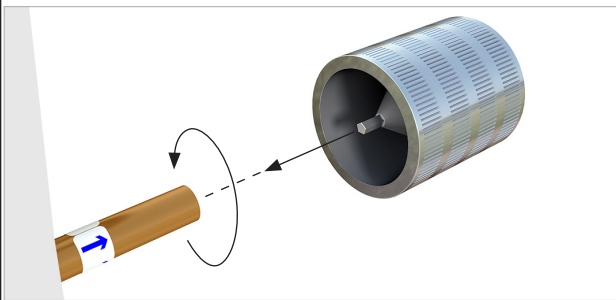
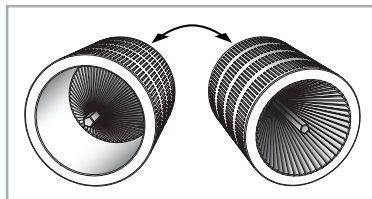
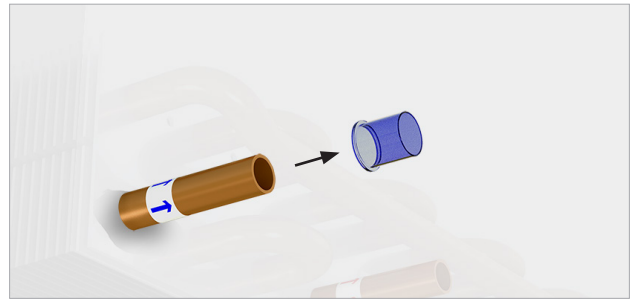
Water connections



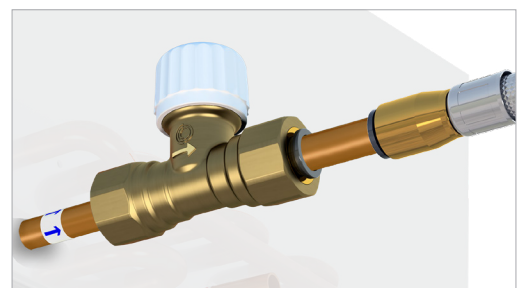
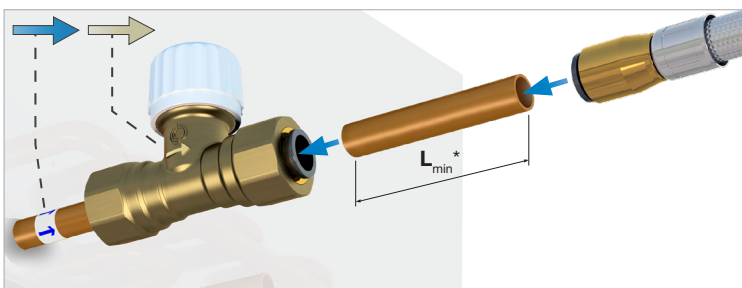
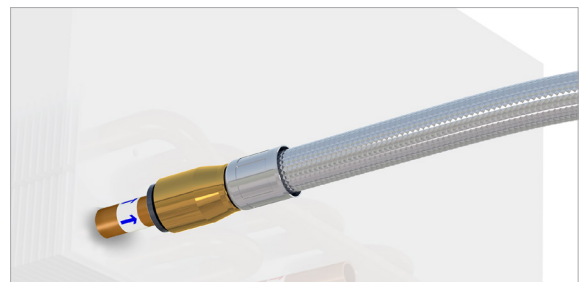
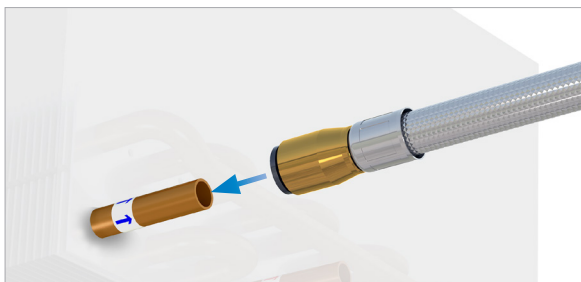
Quick installations guide

Munio

Before installation



Flexible hoses and Push-on valves

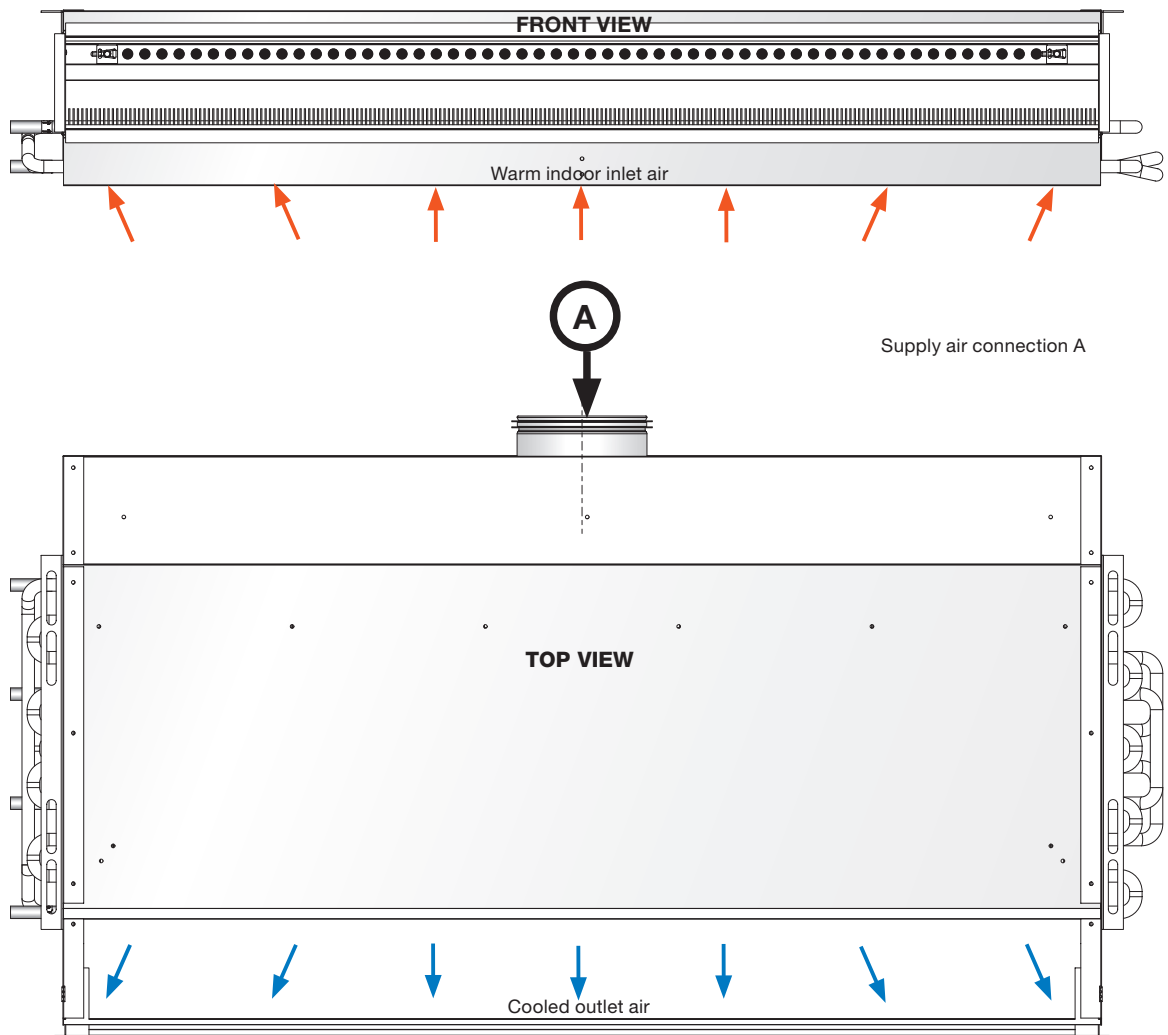


* $L_{min} = 70 \text{ mm}$ (to ensure you can open the couplings again).
 Lindab flexible hoses are available with straight end (male) for direct connection to Lindab valves also.

Quick installations guide

Munio

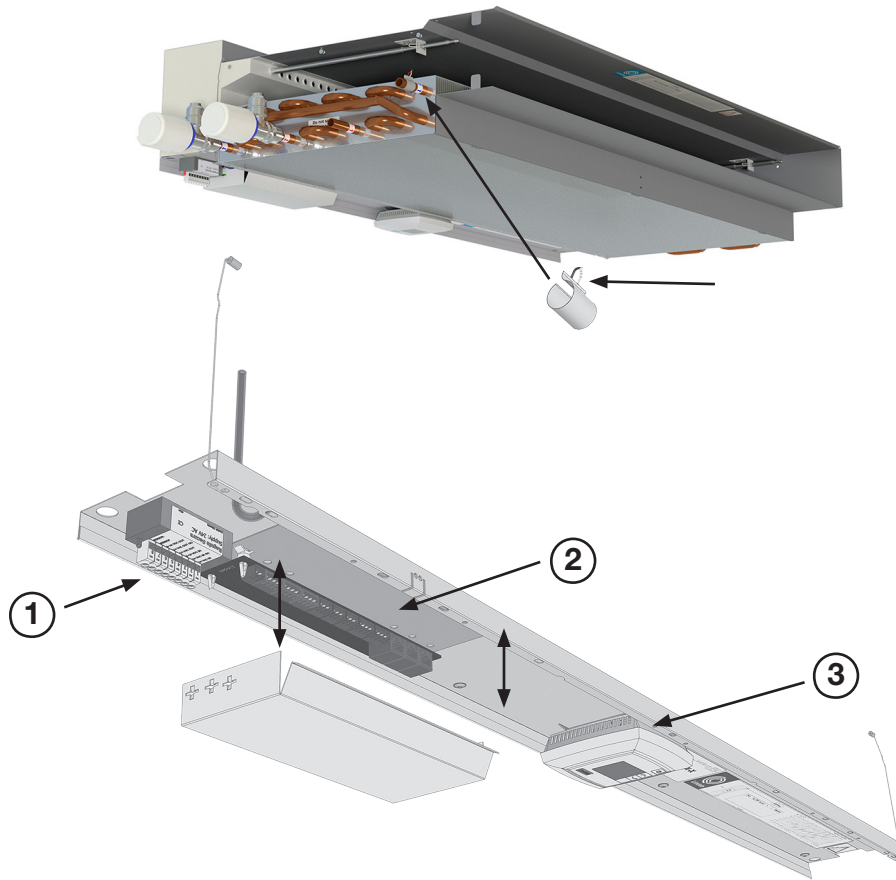
Connections



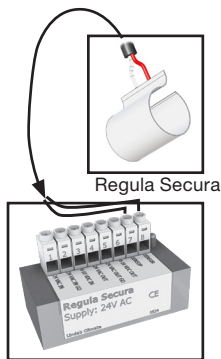
Quick installations guide

Munio

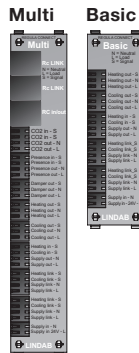
Electrical connections



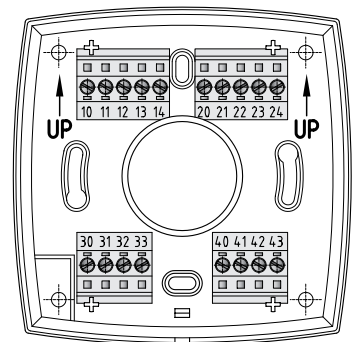
1 Regula Secura Sensor



2 Regula Connect Cards



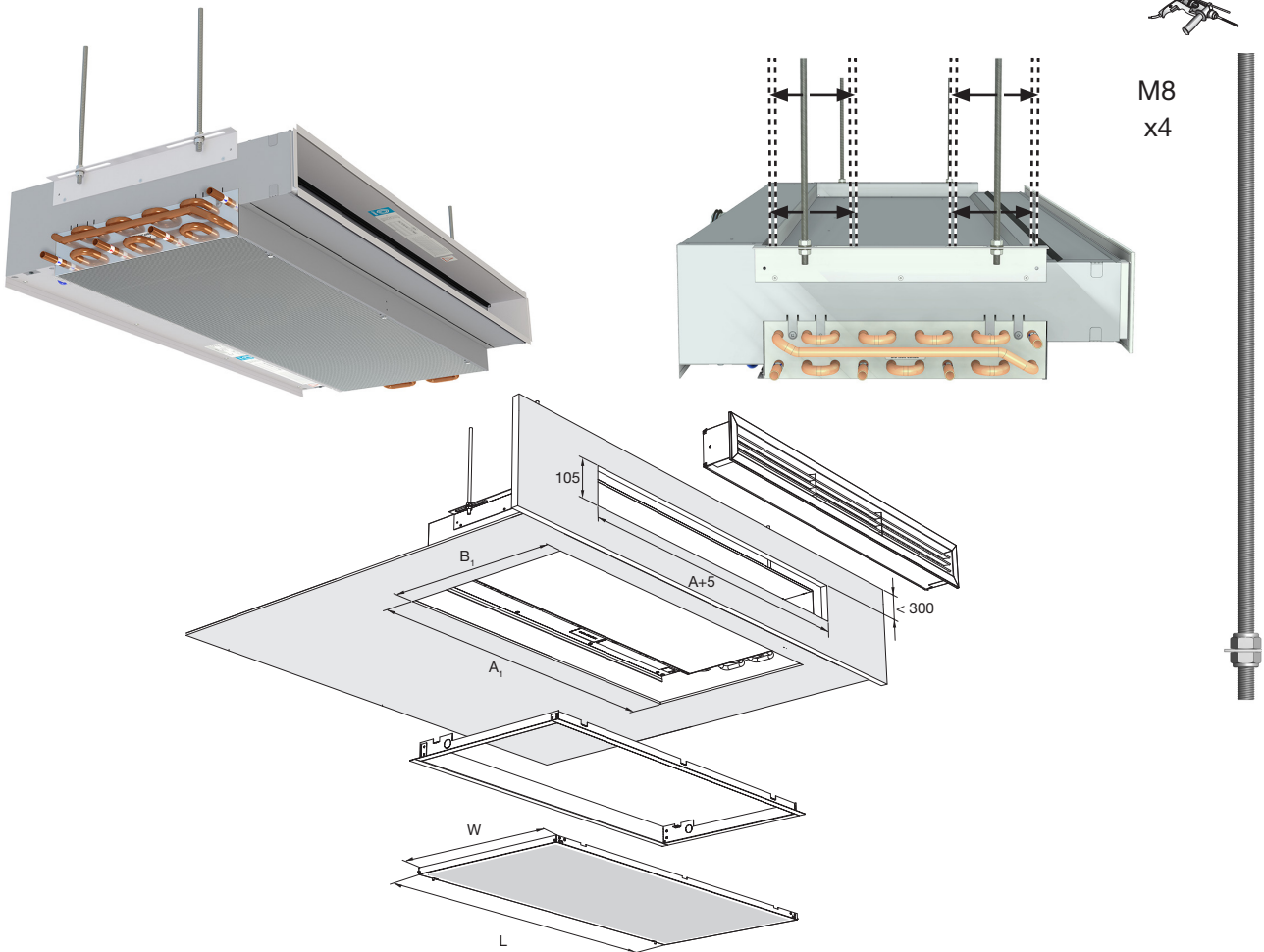
3 Regula Combi



Quick installations guide

Munio

Installation

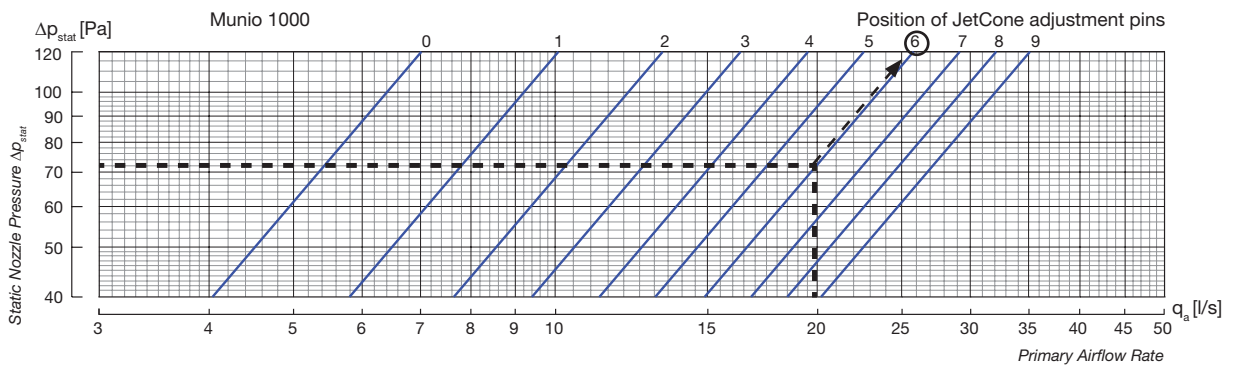
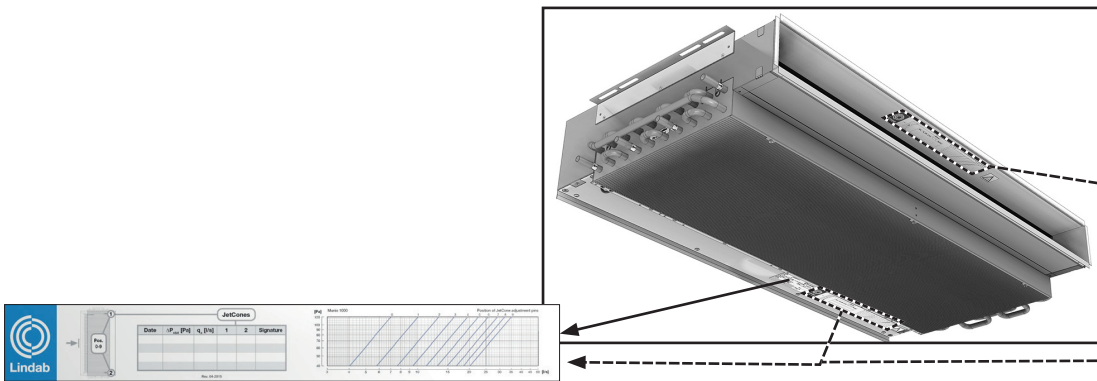
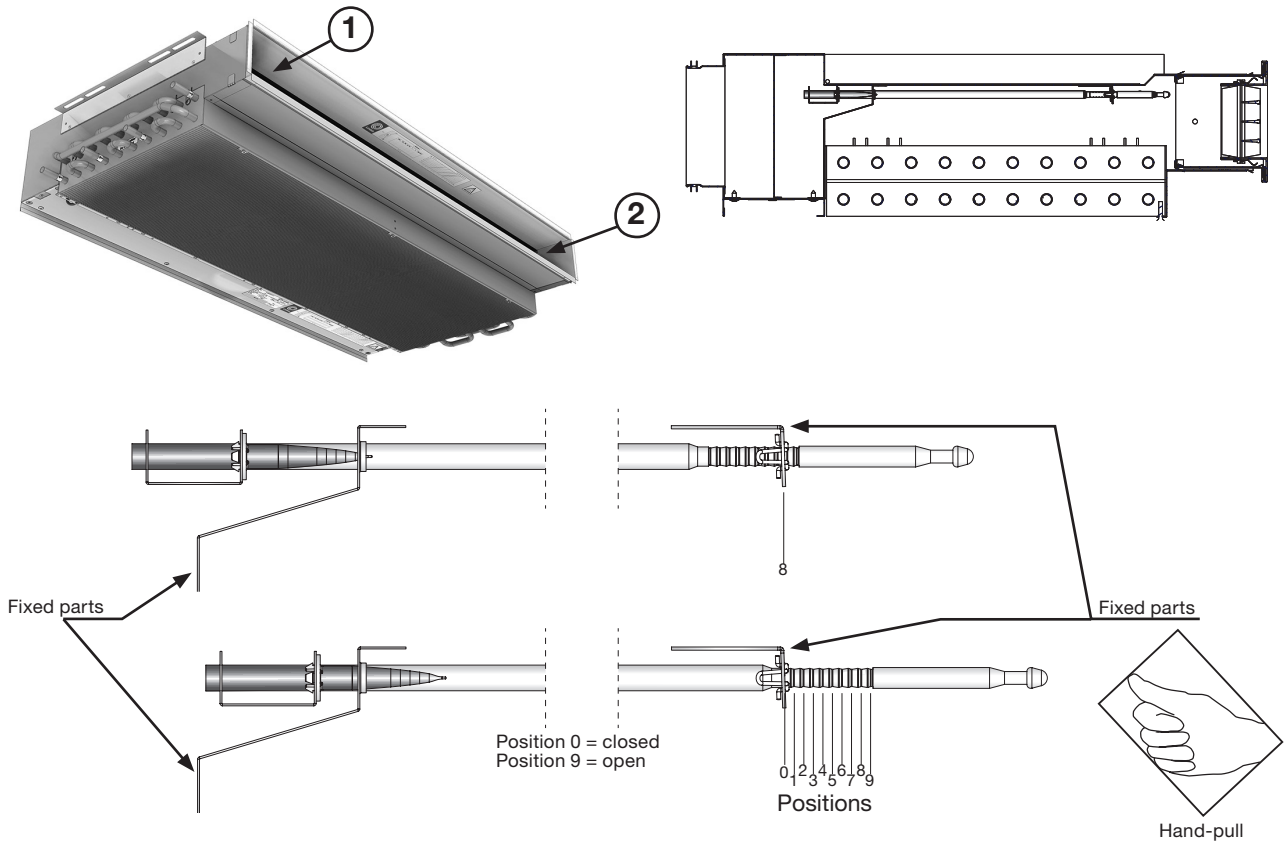


Order code	Ceiling Type	Munio-I		Inlet faceplate				Weight [kg]
				L _{Inlet}	W _{Inlet}	Cutout		
		L	Width			A ₁	B ₁	
[mm]								
3		Inlet faceplate -03 mounted to Munio (SHORT version)						
03		800	549	844	505	820	480	2.8
03		1000		1045		1020		3.2
03		1200		1245		1220		3.7
03		1400		1445		1420		4.1
3		Inlet faceplate -01 and -21 separate from Munio for lay-in ceiling						
01	1	1200	600	1193	593	- *	- *	3.5
21	21	1200	625	1243	618	- *	- *	3.7
3		Inlet faceplate -3S separate from Munio mounted into the ceiling						
3S		1200	549	1193	593	1168	568	4.6
3		Inlet faceplate -3E mounted to Munio (LONG version)						
3E		800	549	1175	505	1150	480	3.6
3E		1000		1375		1350		4.1
3E		1200		1575		1550		4.5
3E		1400		1775		1750		5.0

Quick installations guide

Munio

JetCone adjustment

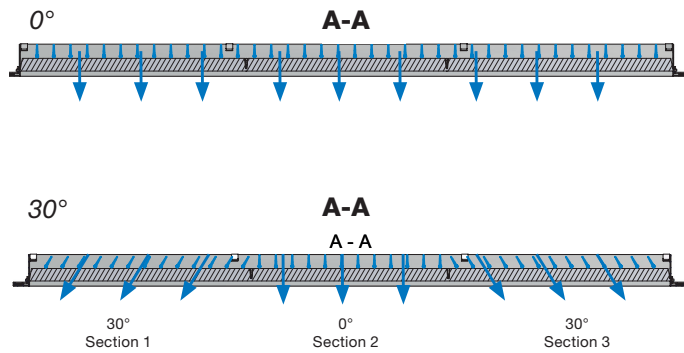
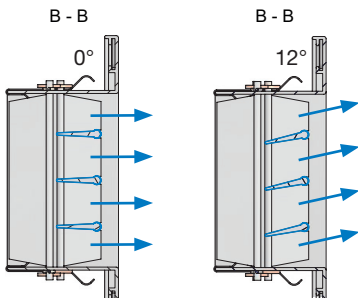
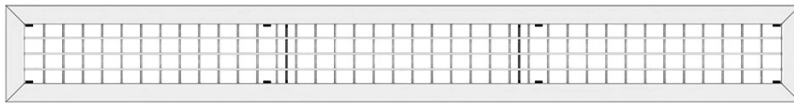


Quick installations guide

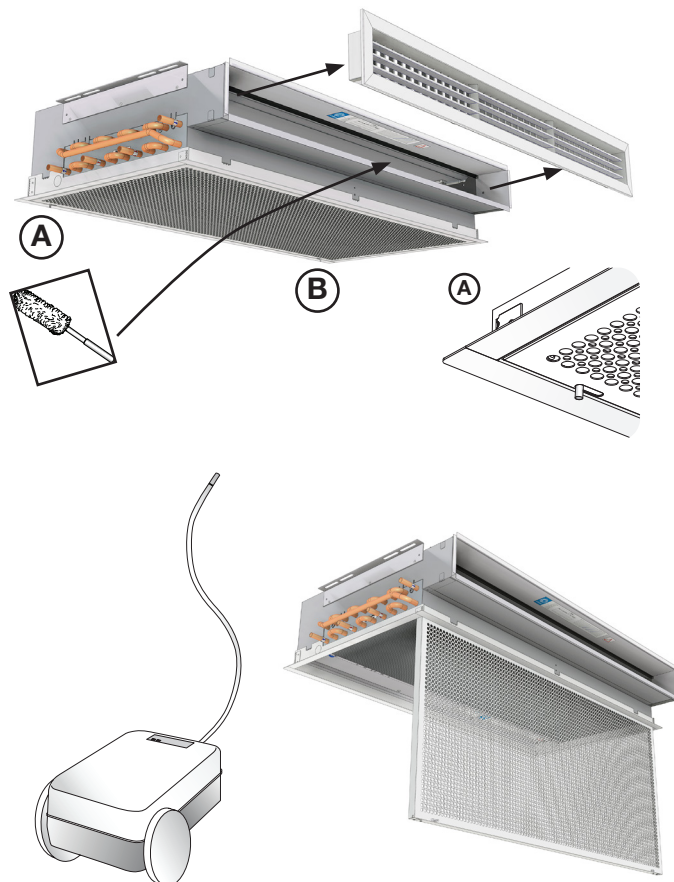
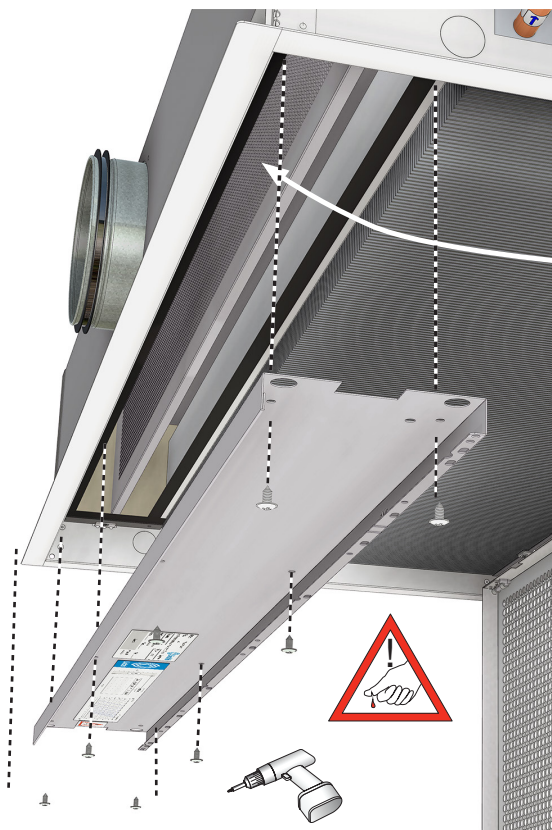
Munio

Adjustment of air distribution profile

AD21CN-M



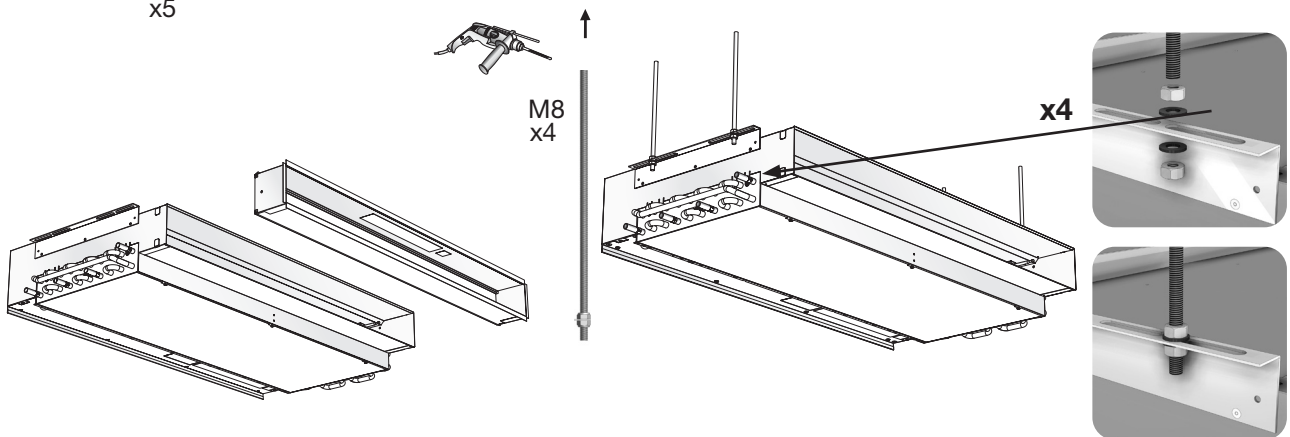
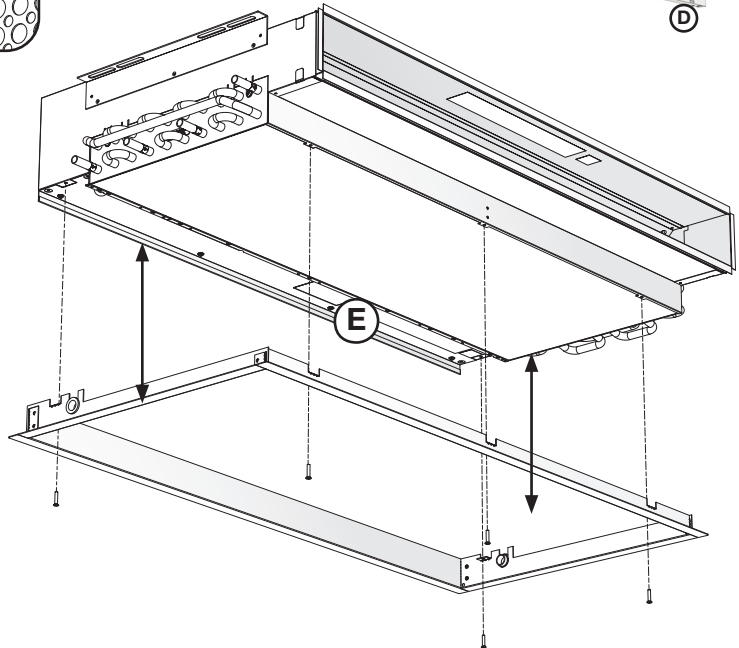
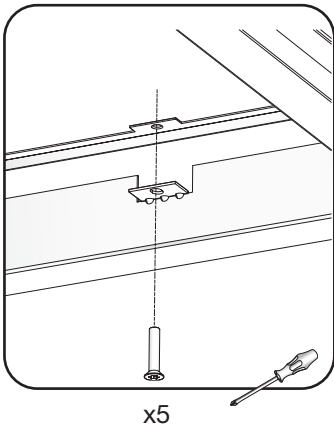
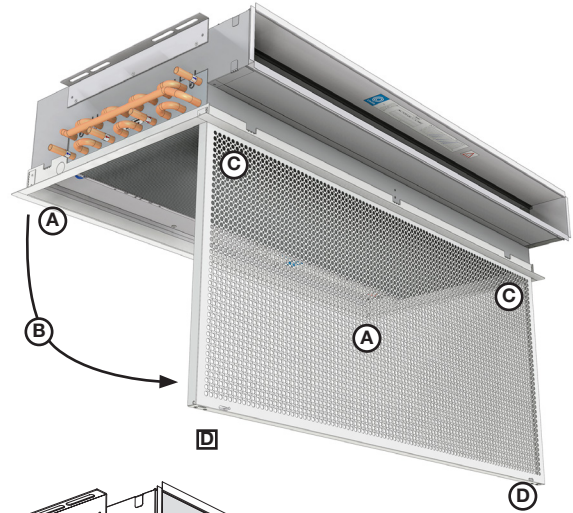
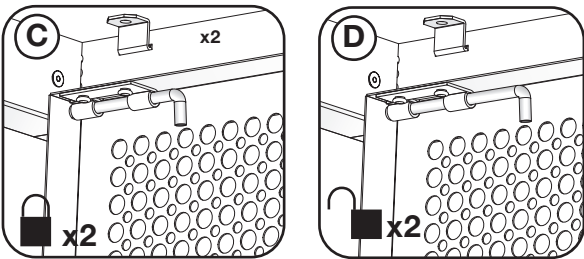
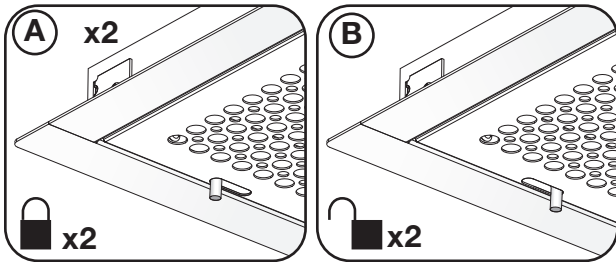
Maintenance



Quick installations guide

Munio

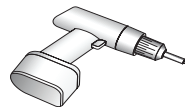
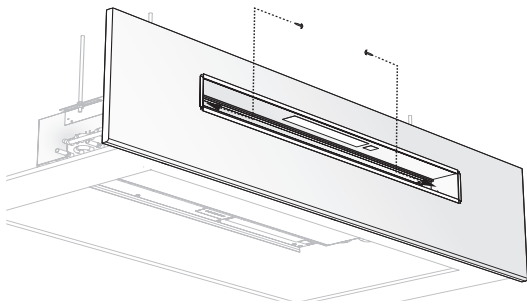
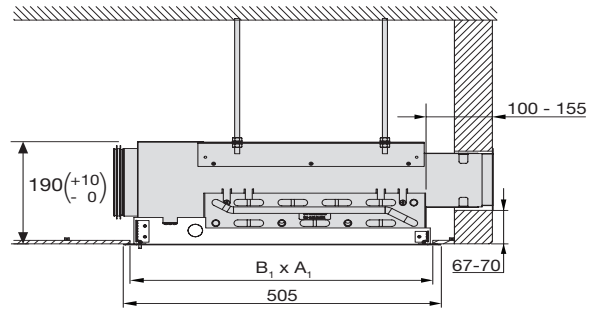
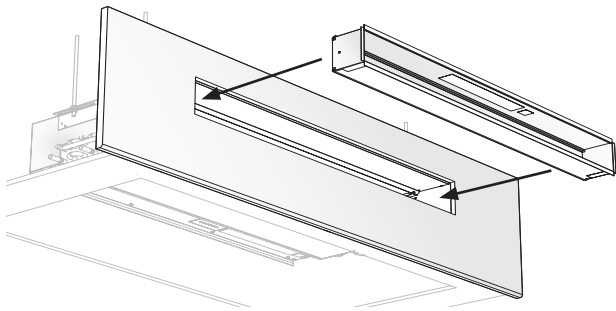
Installing the product



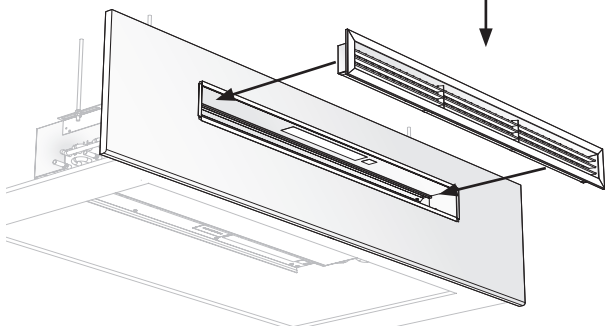
Quick installations guide

Munio

Installation telescope



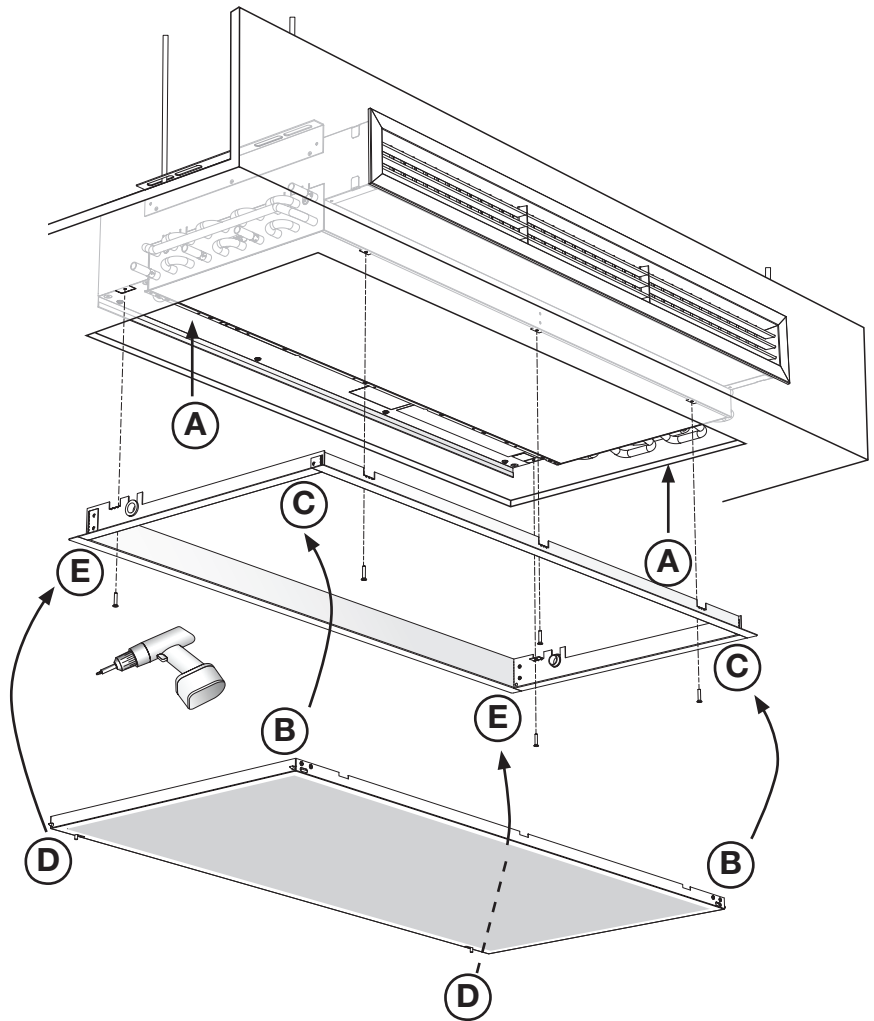
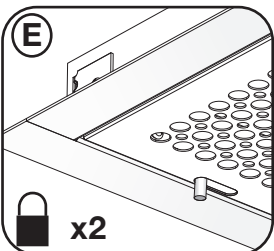
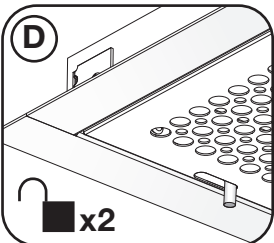
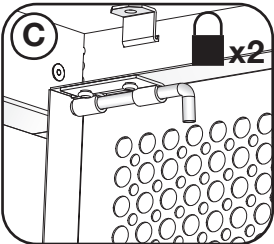
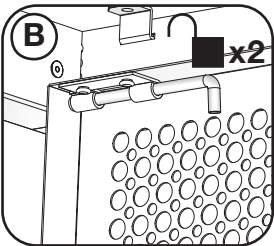
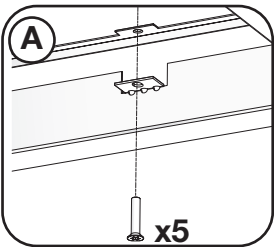
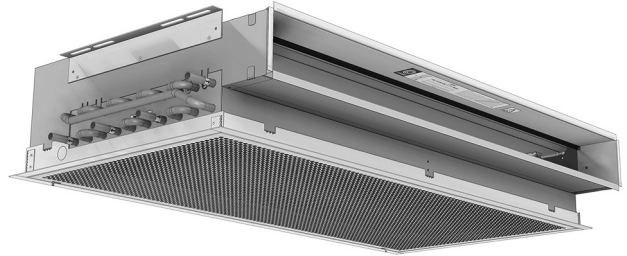
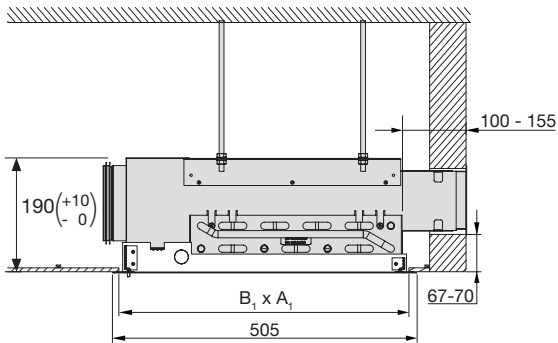
Use 2x self drilling screws
(not included).



Quick installations guide

Munio

Installation inlet faceplate type 03/3E





Most of us spend the majority of our time indoors. Indoor climate is crucial to how we feel, how productive we are and if we stay healthy.

We at Lindab have therefore made it our most important objective to contribute to an indoor climate that improves people's lives. We do this by developing energy-efficient ventilation solutions and durable building products. We also aim to contribute to a better climate for our planet by working in a way that is sustainable for both people and the environment.

[Lindab](#) | For a better climate