

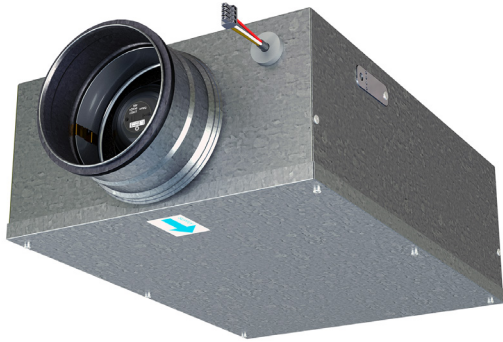
Lindab **DBV**

Flow regulator for supply air



Flow regulator for supply air

DBV



Description

DBV is a volume flow regulator used for VAV regulation of the supply air in a terminal duct for an active chilled beam. Also suitable together with eg. wall diffusers.

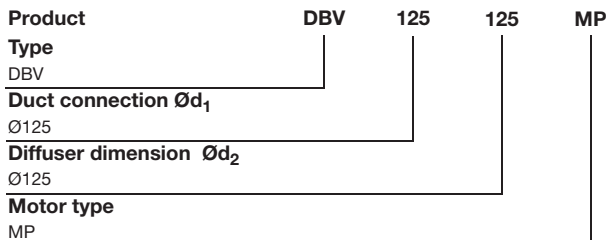
DBV is equipped with a unique linear cone damper technology, which makes it possible to regulate up to 200 Pa with low sound level. The minimum air flow k-value at closed position is 0.73 (7.3 l/s at $\Delta p_t = 100$ Pa).

The built-in VAV actuator is delivered pre-programmed with damper characteristic and in combination with a stable flow measurement over the damper, it makes the VAV regulation very accurate and reliable.

DBV can be installed directly in a terminal duct in front of the active chilled beam. DBV is not suited for exhaust air.

- Unique linear cone damper
- Low sound levels
- Stable flow measurements
- Reliable and accurate VAV regulation

Order code

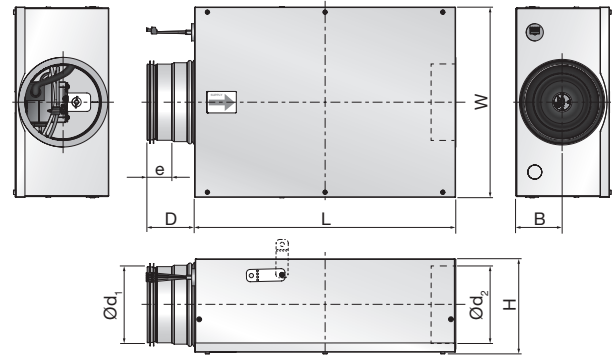


Example: DBV-125-125-MP

Factory settings

	Standard	On request
Min. air flow	0	Other min. flow
Max. air flow	V_{nom} (7m/s)	Other max. flow
Control signal	2-10 V	0-10 V
Feedback signal	Damper position	Air flow

Dimensions



$\varnothing d_1$	$\varnothing d_2$	B	D	e	H	L	W	m	
[mm]		[mm]							[kg]
125	125	75	78	40	155	426	310	6,1	

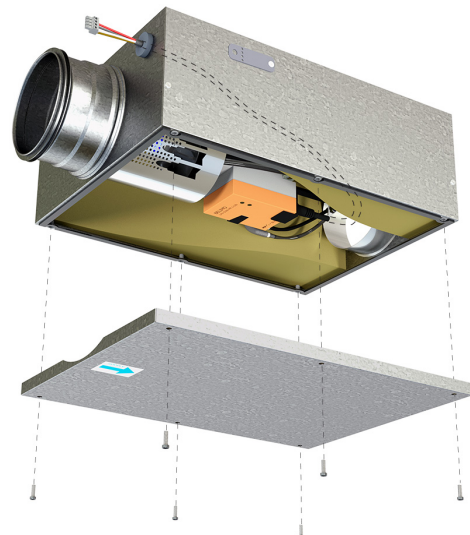
Motortype

Type	Dokumentation
MP	LHV-D3W-MP LIN
MOD/BAC	LHV-D3W-MOD LIN*
KNX	LHV-D3W-KNX LIN*

* For the [MOD/BAC](#) & [KNX](#) variants see documentation for rotation version (LMV) of Belimo VAV-Compact-D3, as the MOD/KNX related information/signals is the same for the linear version (LHV).

Maintenance

Easy access to inner parts. The motorized damper unit can be removed to enable cleaning of internal parts of the plenum box and gives access to the duct as well.



Materials and finish

Materials: Galvanised steel
Standard colour: Galvanised steel

The plenum box is available in other colours. Please contact Lindab's sales department for further information.

Flow regulator for supply air

DBV

Technical data

Settings

DBV is preset and calibrated from factory with the following air flow ($V_{nominal}$) setting corresponding to a velocity of 7 m/s.

$\varnothing d_1$ [mm]	$\varnothing d_2$ [mm]	V_{nom} l/s	V_{nom} m ³ /h
125	125	86	309

Sound attenuation

Sound attenuation ΔL of the unit with fully open damper, see table below.

$\varnothing d_1$ [mm]	$\varnothing d_2$ [mm]	Centre frequency [Hz]							
		63	125	250	500	1K	2K	4K	8K
125	125	10	7	5	7	13	20	29	25

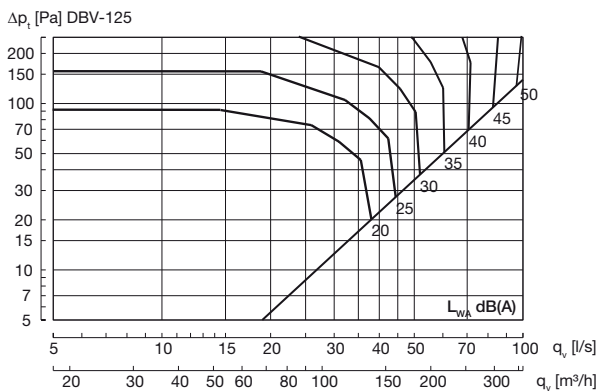
Capacity

Air flow q_v [l/s] and [m³/h], total pressure Δp_t [Pa] and sound power level L_{WA} [dB(A)] for the duct (flow noise) can be seen in the diagram.

Frequency-related sound power level

The sound power level in a frequency band is defined as $L_{Wok} = L_{WA} + K_{ok} \cdot K_{ok}$ values are specified in the chart beneath the diagram.

DBV-125



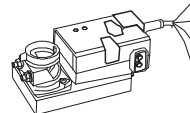
Hz	63	125	250	500	1K	2K	4K	8K
K_{ok}	8	5	-1	-2	-6	-10	-14	-13

Airflow limits

DBV	Lower regulation limit (0.4 m/s)		Airflow Nominal (7.0 m/s)		
	Inlet				
	$\varnothing d_1$	[l/s]	[m ³ /h]	[l/s]	[m ³ /h]
	125	5	18	86	310

Type overview, MP versions

Type	Torque	Power consumption	Rating	Weight
LHV-D3-MP-LIN	150 Nm	2.5 W	4.5 VA	Approx 550 g



No.	Designation	Wire colour	Function
1	┆ -	black	} AC/DC 24 V supply
2	- +	red	
3	◀ Y	white	Reference signal / override / sensor
5	▶ U	orange	- Actual value signal - MP bus connection

Note !

- Supply via safety isolating transformer !
- In conventionally controlled systems it is recommended that the connections 1 to 5 (PP) are led to accessible terminals (e.g. floor distributor) in order to allow remote access for diagnostics and service work.

Type overview MOD versions

Type	Torque	Power consumption	Rating	Weight
LHV-D3-MOD-LIN	150 Nm	2.5 W	4.5 VA	Approx 550 g



No.	Designation	Wire colour	Function
1	┆ -	black	} AC/DC 24 V supply
2	- +	red	
3			
5	▶ MFT	orange	MP connection
6	D-	pink	} BACnet / Modbus (RS485)
7	D+	grey	

Note !

- Supply via safety isolating transformer !
- Modbus signal assignment:
 $C_1 = D- = A$
 $C_2 = D+ = B$
- Supply and communication are not galvanically isolated.
- Connect earth signal for devices with one another.

Type overview KNX versions

Type	Torque	Power consumption	Rating	Weight
LHV-D3-KNX-LIN	150 Nm	2.5 W	4.5 VA	Approx 550 g



No.	Designation	Wire colour	Function
1	┆ -	black	} AC/DC 24 V supply
2	- +	red	
3			
5	▶ MFT	orange	PP connection
6	D+	pink > red	} KNX
7	D-	grey > black	

Note !

- Supply via safety isolating transformer !
- Signal assignment KNX:
 $D+ = KNX+ (pink > red)$
 $D- = KNX- (grey > black)$
- The connection to the KNX line should take place via WAGO connection terminals 222/221.

Flow regulator for supply air

DBV

Technical data

Sound data table in frequencies

Sound power level L_{WA} [dB] in each octave band frequency for duct noise is shown in the table below for different combinations of air flow q_v in [l/s] or [m³/h] and total pressure loss Δp_t [Pa].

$\varnothing d_1$ [mm]	$\varnothing d_2$ [Pa]	Duct velocity $v = 2$ m/s									Duct velocity $v = 3$ m/s									Duct velocity $v = 4$ m/s								
		Octave band frequency [Hz]									Octave band frequency [Hz]									Octave band frequency [Hz]								
		63	125	250	500	1000	2000	4000	8000	A	63	125	250	500	1000	2000	4000	8000	A	63	125	250	500	1000	2000	4000	8000	A
125		$q_v = 25$ l/s / 88 m ³ /h									$q_v = 37$ l/s / 133 m ³ /h									$q_v = 49$ l/s / 177 m ³ /h								
	20*	18	18	<15	<15	<15	<15	<15	<15	<15	23	25	20	18	<15	<15	<15	<15	19	30	33	28	26	23	<15	<15	<15	27
	50	26	23	16	15	<15	<15	<15	<15	16	28	29	21	20	15	<15	<15	<15	21	32	34	28	27	23	<15	<15	<15	28
	100	31	24	20	17	<15	<15	<15	<15	21	33	32	25	24	19	15	<15	<15	25	35	36	29	28	24	17	<15	15	29
	200	33	26	23	22	18	20	18	15	26	38	33	29	26	22	20	19	17	29	40	38	33	31	27	23	21	19	33
300	34	27	25	24	21	23	21	19	29	39	33	29	26	23	22	20	19	30	41	39	34	31	28	25	23	22	34	

Air flow measurement

Recommended lengths L of straight duct between a disturbance and DBV.

<p>Bend with radius $r \geq D$</p>	1D
<p>Box installed at the side branch of the distribution duct; for velocities in the distribution duct $v \geq 4$ m/s</p>	3D
<p>A general disturbance (none of the cases above)</p>	1D - 4D

Accuracy

Damper position > 30% (Open = 100%)

The highest value of

7% of reading or 1% of V_{nom} (flow at 7 m/s)

Damper position < 30% (Open = 100%)

The highest value of

7% of reading or 2.5% of V_{nom} (flow at 7 m/s)

Flow regulator for supply air

DBV

Sound dimensioning (simplified variant*)

Example 1:

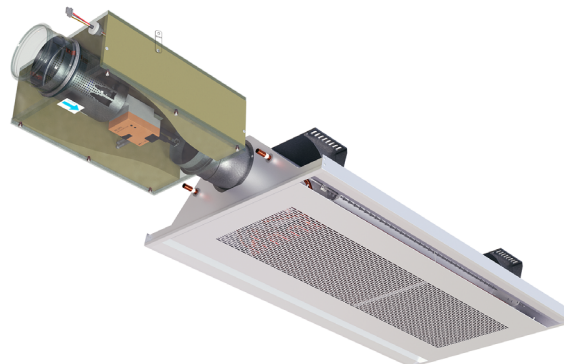
What is the sound power level L_{WA} in system where a Premax I-60-15-125-A1-2.4 is combined with a DBV-125-125 (in series)?

The primary airflow is $q_a = 40$ l/s and the static nozzle pressure of Premax is 80 Pa.

Answer:

Read of the sound power levels for DBV-125-125 in the diagram 2 and for Premax 2.4 m in the diagram 6 in Premax catalogue page 12, for $q_a = 40$ l/s.

The value for DBV-125-125 from diagram 2 is $L_{WA1} = 23$ dB(A).



Picture 6. DBV box and Premax chilled beam.

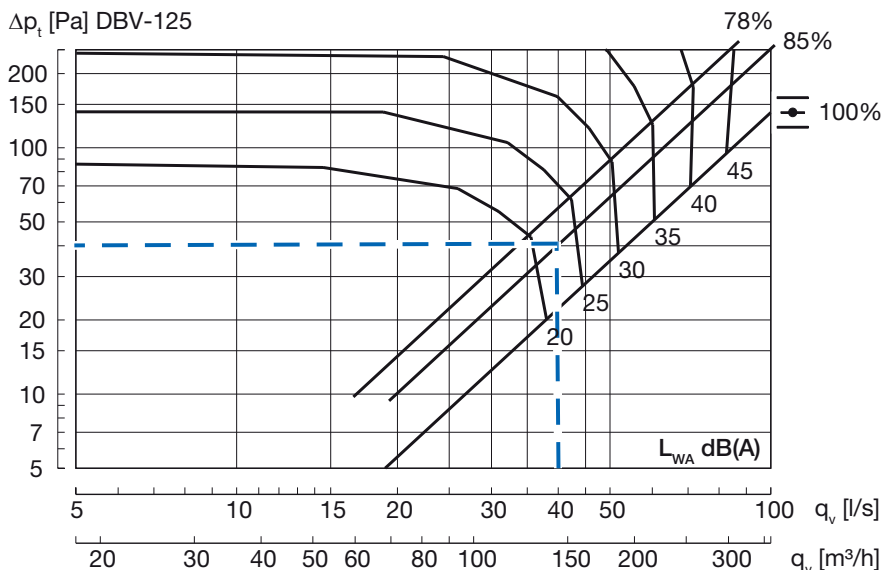


Diagram 2. Sound power level DBV-125 L_{WA}

The value for Premax I-60-15-125-A1-2.4 at 80 Pa $L_{WA2} = 26$ dB(A).

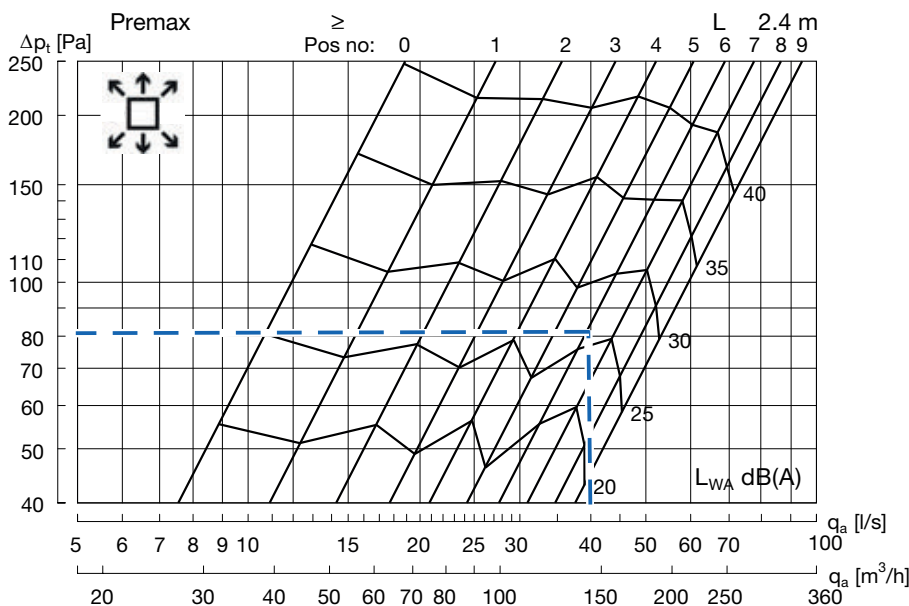


Diagram 3. Sound power level L_{WA} and JetCone setting for Premax $L > 2,0$ m (taken out from Premax catalogue page 12, diagram 6).

Flow regulator for supply air

DBV

Instead of using the diagram, you can find the sound power level L_{WA} for you specific chilled beam design and all available types easily in our waterborne calculator on www.lindQST.com.

Supply air beam
Premax
lindQST report generated: 10/12/2016

Requirements:

Primary airflow rate	40	l/s
Primary airflow rate	144	m³/h
Static nozzle pressure loss	80	Pa

Results:

Sound power	Lwa	26	dB(A)
Sound pressure level	Lp	22	dB(A)

Picture 7. Extract from the waterborne calculator on lindQST.com.

Calculate the difference between the two sound power levels:

$$\Delta L_{WA} = L_{WA2} - L_{WA1} = 26 \text{ dB(A)} - 23 \text{ dB(A)} = 3 \text{ dB(A)}$$

Read off the increase from “Diagram 4. Logarithmic addition of two levels” and add it to the higher sound power level, here $L_{WA2} = 26 \text{ dB(A)}$.

Diagram 4 shows a value of approx. 1.75 dB(A), which must be added to the higher level $L_{WA2} = 26 \text{ dB(A)}$.

The result is a total sound power level of $L_{WA} = 26 \text{ dB(A)} + 1.75 \text{ dB(A)} = 27.75 \text{ dB(A)}$.

[dB] Increase to be added to the higher level

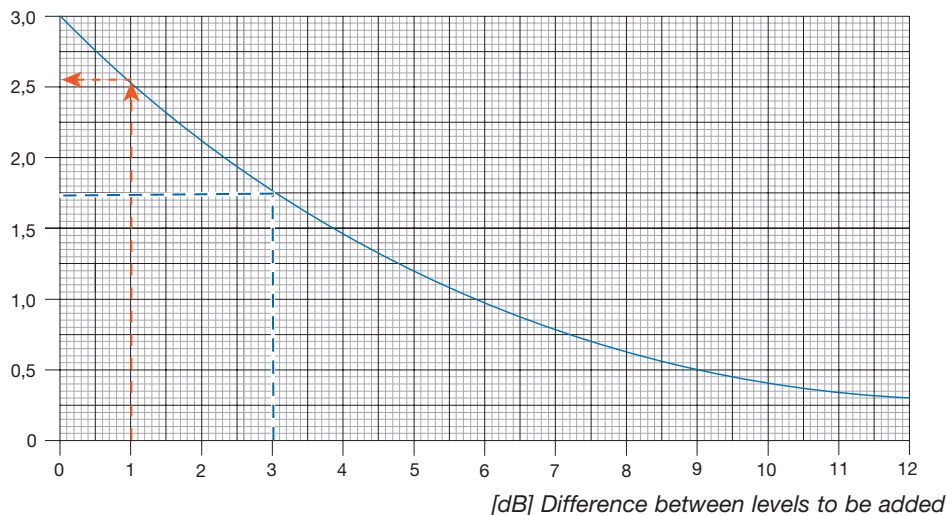


Diagram 4. Logarithmic addition of two sound levels.

NB! For any other combination with other Lindab active chilled beams please find the specific sound diagram in the corresponding product catalogue or in our waterborne calculator on www.lindQST.com.

*We recommend a detailed sound calculation of the complete system! Please find detailed sound data in the product catalogues of DBV and the specific chilled beam type combined with.



Most of us spend the majority of our time indoors. Indoor climate is crucial to how we feel, how productive we are and if we stay healthy.

We at Lindab have therefore made it our most important objective to contribute to an indoor climate that improves people's lives. We do this by developing energy-efficient ventilation solutions and durable building products. We also aim to contribute to a better climate for our planet by working in a way that is sustainable for both people and the environment.

[Lindab](#) | For a better climate