



# CARAT

Installation instruction

Installationsvejledning

Montageanvisning

Asennusohje

Montageanweisung

Istruzioni di montaggio

Instruction de montage



# Installation instruction

# Carat

## Mounting Instruction Carat – Passive chilled beam

The following guidelines are intended to assist the installer, and should not obviate good working practices. There are five different models of Carat available; 31, 44, 58, 71 and 84.

### Carat-31



### Carat-44



### Carat-58



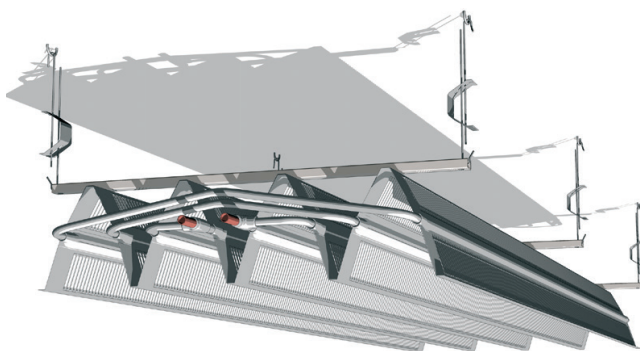
### Carat-71



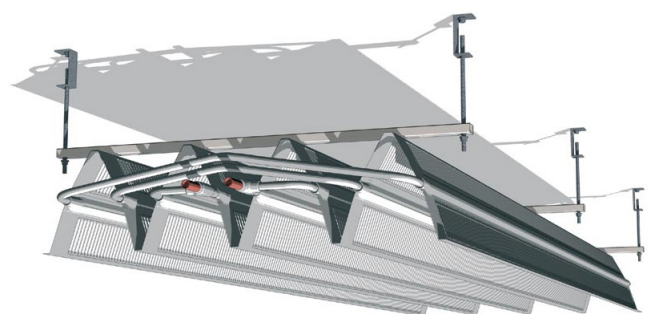
### Carat-84



### Carat with adjustable hangers

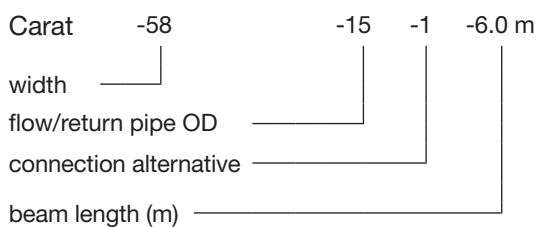


### Carat with threaded rod



## Product Labelling

### Delivery Coding

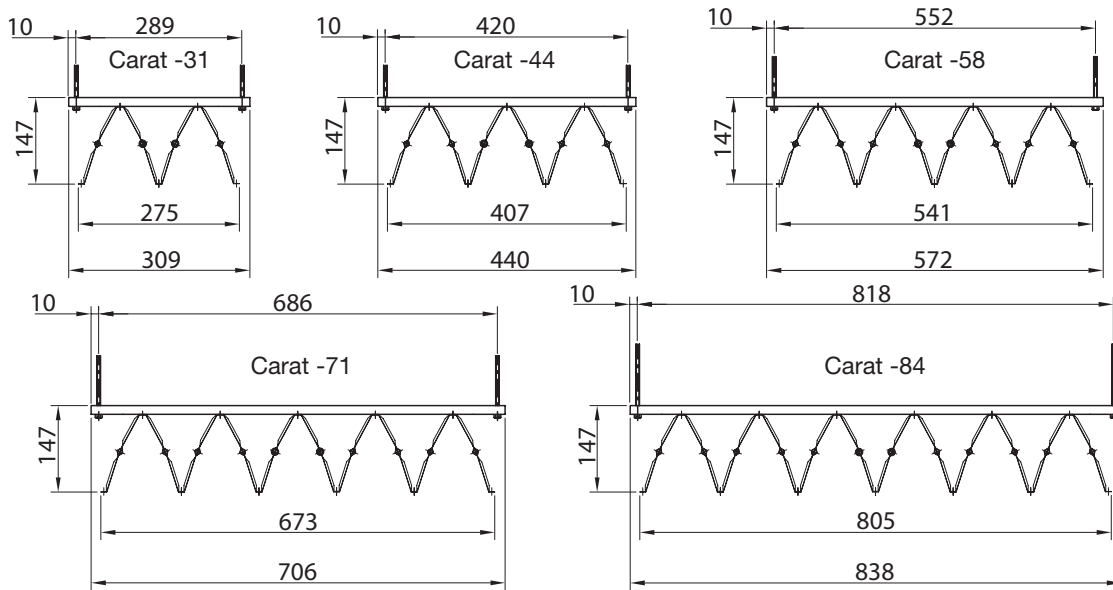


Beams are also supplied with support sleeves as standard, plus any optional items as specified in the documentation (special colour, control valves, condensation sensors etc.).

# Installation instruction

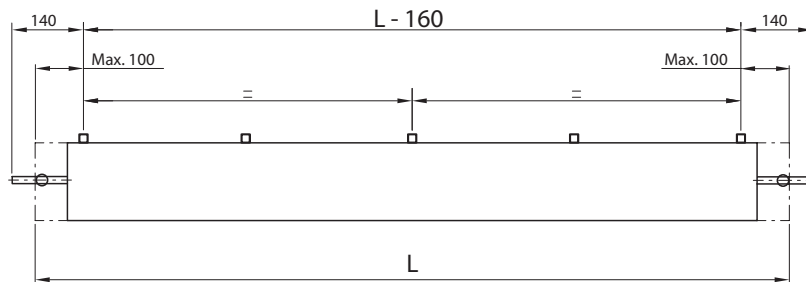
# Carat

## Suspension



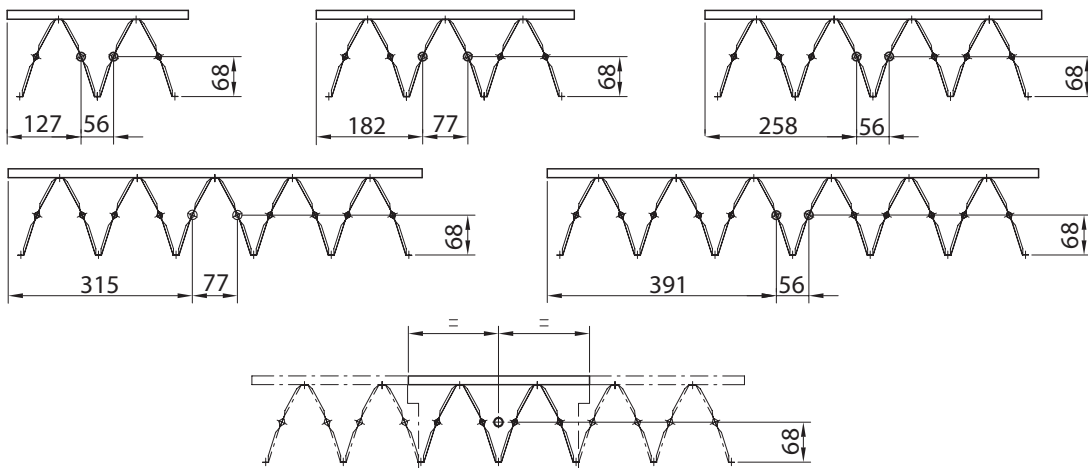
As standard, Carat is available in lengths from 1.8 m to 6.0 m, in steps of 0.1 m.

3 × 2 suspension points for lengths > 3 m.



When connecting the chilled beam to the flow and return pipework, it is most important to fit the copper support sleeve to ensure that the chilled beam connection pipes are not crushed during installation. Also, it must be remembered that connections must be of a compression, push-fit or press-fit type. Connections to the chilled beam **MUST NOT** be soldered.

Ensure that allowance is made for possible expansion / contraction of the mains water pipework (using expansion loops or bellows).



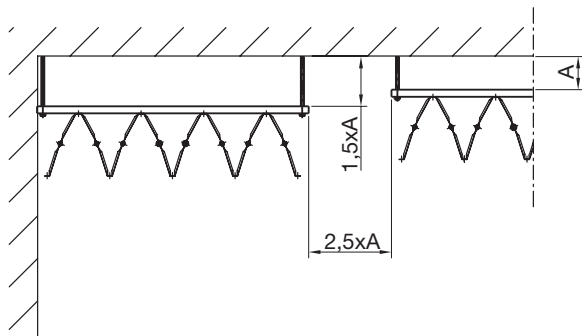
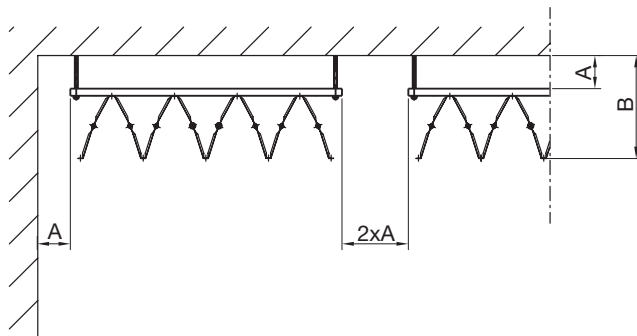
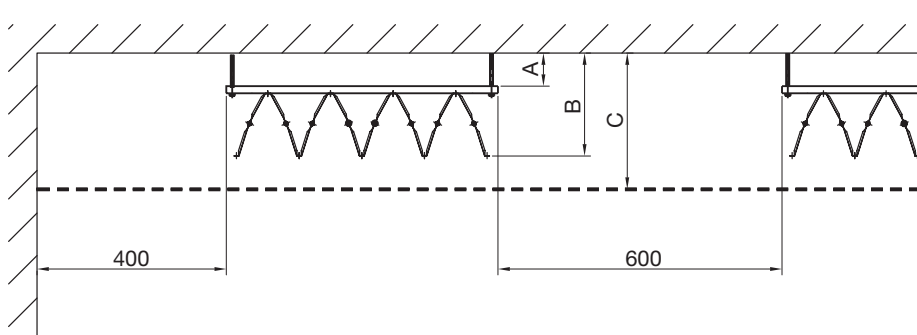
# Installation instruction

# Carat

## Installation

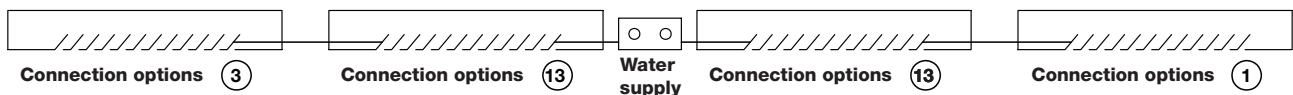
In order for Carat to deliver the stated cooling capacity it is important to maintain specified distances to the structural soffit, walls and adjacent product.

The distances identified below are minimum acceptable, and vary dependant upon product width:



Model	A (mm)	B (mm)	C (mm)
Carat -31	45	192	232
Carat -44	55	202	252
Carat -58	70	217	267
Carat -71	85	232	302
Carat -84	105	252	322

## Aesthetic

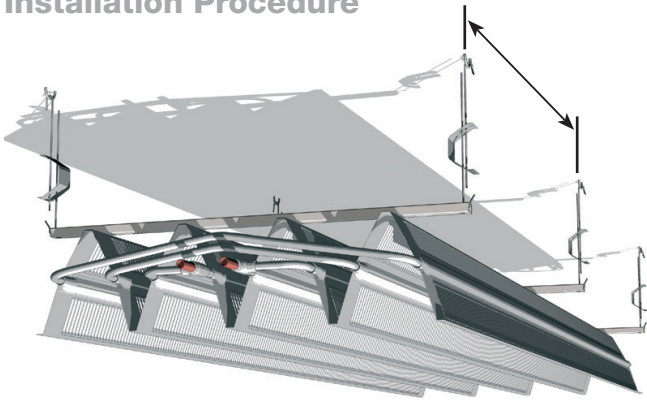


The free-hanging chilled beam appears slightly different when viewed from different directions – this is due to the punched cooling fins on the surface of the product. This difference of aesthetic should be considered when designing the connection position for each chilled beam. The diagram above illustrates that it is possible to have the cooling fins facing the same direction, but with horizontal pipe connections at different ends.

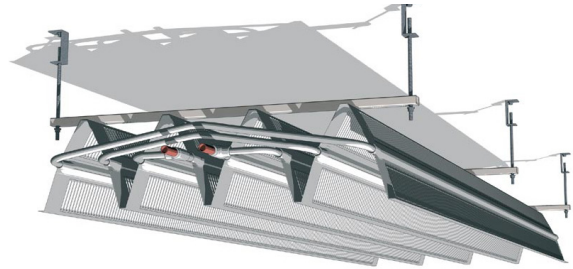
# Installation instruction

# Carat

## Installation Procedure



**Carat with adjustable hangers**



**Carat with threaded rod**

Measure the distance between the suspension points and mount the chosen fixing to the roof. Put adjustable hangers or threaded rod through the pre-drilled holes in the aluminium suspension bars / suspension brackets. Lift up the product using the hangers and attach the hangers/rods to the soffit fixing. **DO NOT** lift the chilled beam from any position other than the aluminium suspension bars or attached hangers.

Adjust the beams vertical position according to the diagram on page 4. If necessary shorten the hangers/rods to appropriate lengths.

Hangers / rods should be secured to ensure that they do not come loose from either the soffit fixing or the chilled beam. Hangers should be secured by bending over the hanger end loops at either end, threaded rods by using 4 nuts for each rod - above and below the soffit fixing and again above and below the aluminium bar / bracket. Don't forget to tighten your nuts.

It is important to remember to fit the copper support sleeves into the water connection pipes before connecting the compression, press-fit or push-fit couplings. **NOTE! DO NOT SOLDER!** Ensure that allowance is made for possible expansion / contraction of the mains water pipework (using expansion loops or bellows).

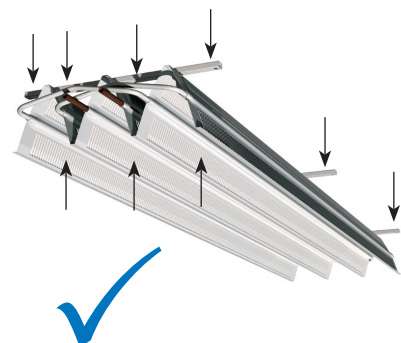
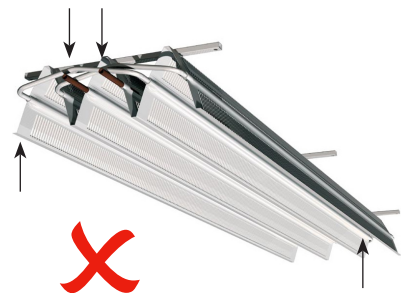
Where plastic connections or flexible hoses are used, it is important to ensure that these products are designed to be resistant to oxygen penetration.

Ensure that the distribution pipework is flushed and cleaned in isolation of the chilled beam. Do not remove protective pipe caps until just before connection to the flushed distribution pipework.

## Handling

**NEVER** handle the product from the extreme edges or from the pipe tails.

**ALWAYS** handle the product from either the suspension bar, the pipe manifold or the bottom of the 'A' profile. Take care not to damage cooling fins or pipe tails.





**Support**  
**Hjælp**  
**Hjälp**  
**Tuotetuki**  
**Unterstützung**  
**Supporto**  
**Support**

**UK** - Here you can find product updates/mounting instructions and support telephone number/mail.

**www.lindab.com**

Right to alterations reserved.

**DK** - Her kan du finde seneste produkt opdateringer/ montagevejledninger samt support tlf. nr/mail.

**www.lindab.dk**

Ret til ændringer forbeholdes.

**SE** - Här kan du alltid hitta senaste produktuppdateringarna/montageanvisningarna samt support tel. /e-mail.

**www.lindab.se**

Rätt till ändringar förbehålles.

**FI** - Täältä löydät uusimmat tuotetiedot ja asennusohjeet sekä tuotetuen yhteystiedot.

**www.lindab.fi**

Oikeus muutoksiin pidätetään.

**DE** - Hier finden Sie aktuelle Produktinformationen/ Montageanleitungen und Telefonnummer/ E-Mail-Adressen der Ansprechpartner.

**www.lindab.de**

Änderungen vorbehalten.

**IT** - Qui potete trovare istruzioni di montaggio, informazioni sul prodotto ed un supporto tecnico qualificato

Tel. 011 9952099 - e-mail: lindab@lindab.it

**www.lindab.it**

Soggetto a modifica senza obbligo di preavviso.

**FR** - Vous trouverez les fiches produits ou de montage actualisées ainsi que les coordonnées du support téléphonique à l'adresse suivante :

**www.lindab.fr**

Toutes modifications réservées.

**Do you have trouble finding your local contacts please go to:**

**www.lindab.com**

**Carat - 21052013**

