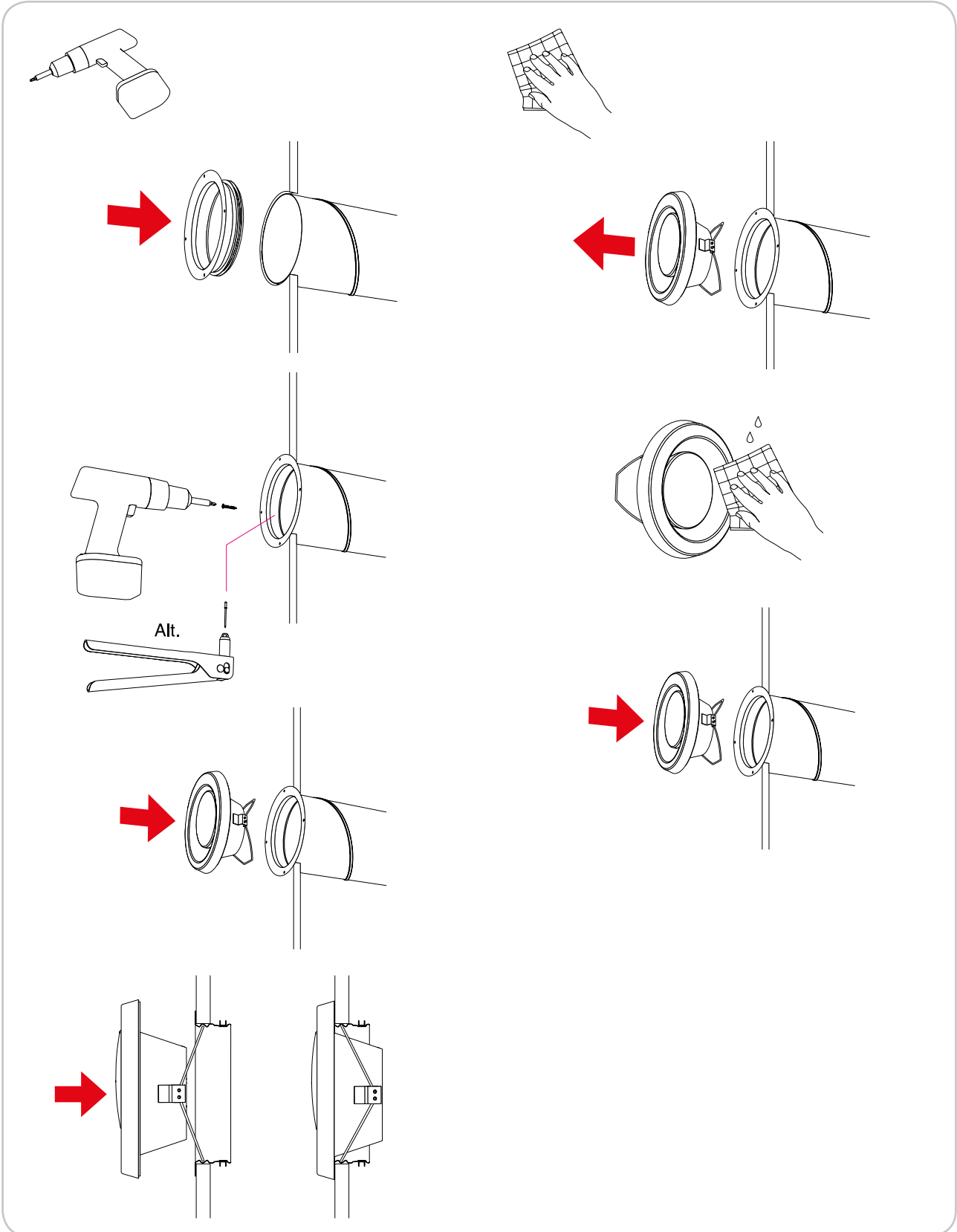




Valve

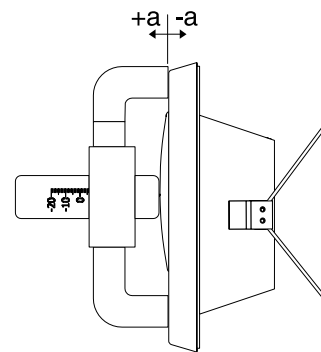
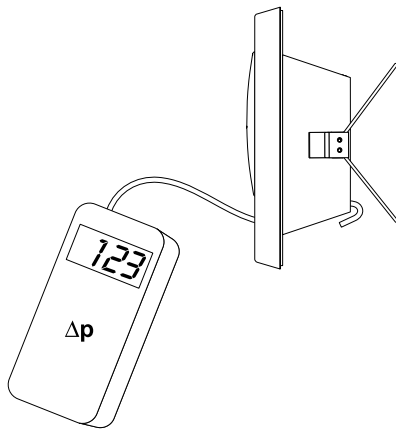
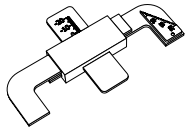
KVB





Valve

KVB



Ø mm	Valve mounted in	Setting a [mm]						
		a	-11	-9	-6	0	6	9
100	Duct	a	0,389	0,547	0,818	1,37	1,87	2,08
	Bend 90°	k	0,382	0,540	0,830	1,41	1,98	2,20
	T-piece		0,393	0,551	0,851	1,45	1,98	2,18
125	Duct	a	-18	-12	-6	0	6	
	Bend 90°	k	1,32	1,88	2,47	3,01	3,46	
	T-piece		1,26	1,80	2,46	2,90	3,46	
160	Duct	a	-24	-18	-12	-6	0	6
	Bend 90°	k	2,05	2,50	3,31	4,23	5,11	5,73
	T-piece		1,76	2,33	3,15	3,93	4,72	5,29
			-	2,80	3,29	4,04	4,88	5,41