

Shut-off damper

DSU



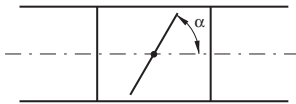
Description

Has a turning, circular blade. The blade is stepless adjustable 0–90°. The damper is used when you have lower demands for shut-off capacity. The damper admits an insulation thickness of approx. 50 mm.

The damper can on occasions be used for regulation.

Setting angle α

$\alpha = 0^\circ =$ open blade, $\alpha = 90^\circ =$ closed blade



There is a separate assembly, measuring, balancing and maintenance instruction for this product.

Ø 63–1000 fullfills pressure class A in closed position.

The cup at Ø 63–630 can be complemented with the special insulation cup IK at insulation thicker than 50 mm.

Reinforced blade

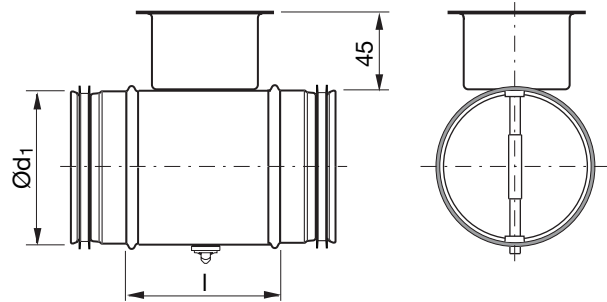


Ordering example

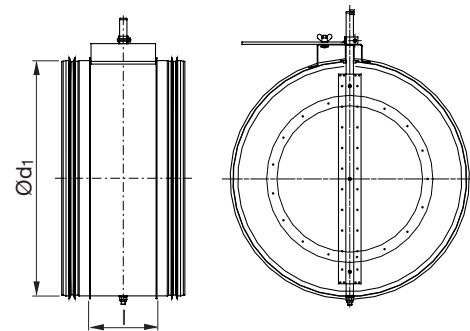
Product	DSU	160
Dimension $\text{Ø}d_1$		

Dimensions

Ø 63–630



Ø 800–1000



Ød ₁ nom	l [mm]	m [kg]	Sealing class past closed blade
63	100	0,30	0
80	100	0,35	0
100	100	0,40	0
112	100	0,44	0
125	100	0,49	0
140	100	0,54	0
150	100	0,57	0
160	100	0,67	0
180	100	0,73	0
200	100	0,86	0
224	100	1,10	0
250	100	1,31	0
280	100	1,51	0
300	100	1,65	0
315	100	1,81	0
355	100	2,00	0
400	100	2,91	1
450	100	3,90	1
500	115	4,92	1
560	115	6,01	1
600	115	6,40	1
630	115	6,92	1
710	230	16	1
800	230	19,0	1
900	230	24	1
1000	230	30,0	1



Shut-off damper

DSU

Property	Ø 63-315	Ø 400	Ø 500	Ø 630	Ø 710-1000
The blade is set via a knob in a protective cup.	x	x	x	x	
The setting of the blade is read against an embossed scale at the rim of the cup.	x	x	x	x	
The blade is locked with two screws, type Pozidriv (PZD2).	x	x	x	x	
The blade has reinforced locking with a sturdy wing nut.					x
The blade is reinforced.		x	x	x	
The blade is additionally reinforced.					x
With sturdy handle.		x	x	x	
With additionally reinforced handle.					x
With reinforced stop beads.			x	x	
The axle is reinforced.					x
The damper can be delivered prepared for motor.	x	x	x	x	
The damper can be delivered with motor.	x	x	x	x	x

Technical data

For technical data see [LindQST](#).