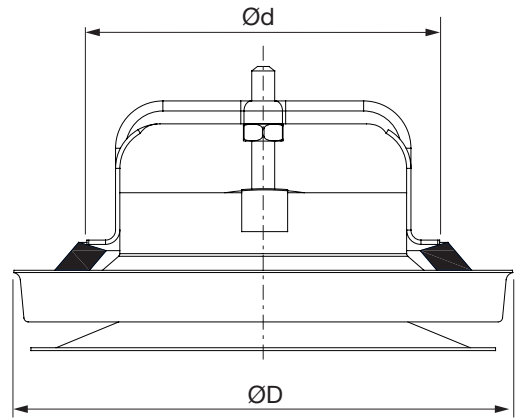


Valve supply air

KIR



Dimensions



Ød nom	ØD mm	m kg
100	141	0,28
125	174	0,42
160	215	0,60

Description

Valve for supply air.
 Designed for ceiling mounting.
 Equipped with a removable blanking-off sector plate for preventing the air flow in a desired direction.
 Bayonet holders connect to socket VRGU, VRGL or VRGM.

Materials and finish

Material

Coated galvanized sheet metal.

Colour

White RAL 9003, gloss 30.

Order code

