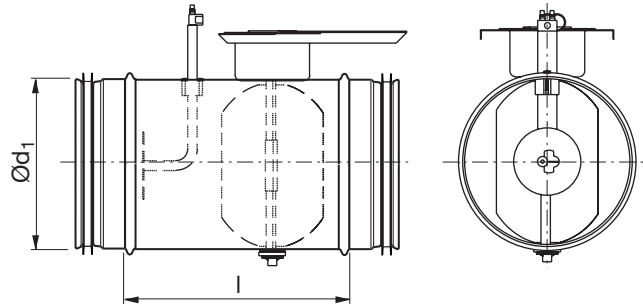


Damper with flow meter

FMDU



Dimensions



Description

Applications

The meter is suitable both for setting up and for continuous flow measurement. It is intended for permanent installation and must therefore be specified at the design stage.

There is a separate assembly, measuring, balancing and maintenance instruction for this product.

Ø 80–250 fullfills tightness class 0 and pressure class A .

Design

The meter consists of a regulating shutter and a centrally located measurement plate. Each measurement nozzle has a removable plastic plug which prevents dirt from entering. It also eliminates air leakage when measurement is not done.

The unit permits insulation of up to 50 mm thickness to be installed without concealing the measurement nipples or the label plate.

The plate can be rotated for best legibility, irrespective of the way the unit is installed and can easily be removed, to be located away from the unit. The cup around the damper knob allows insulation up to 50 mm thick to be used. If thicker insulation is needed, add the special insulation cup IK.

Advantages

- Short installation length.
- Suitable for use with insulation.

Ød ₁ nom	l mm	m kg
80	165	0,66
100	165	0,76
125	165	0,88
160	165	1,08
200	230	1,44
250	275	2,10

Order code

