

Suspension rings

UVHM25



Description

UVHM25- mounting brackets for ducts.

Material:

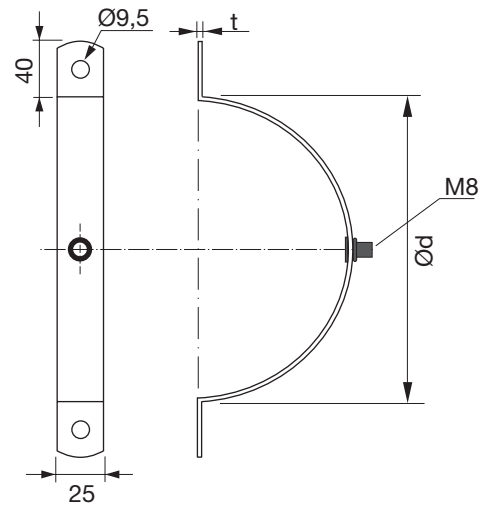
Two half parts galvanized sheets 25 x 2.0 mm.
one part mounted with an M8 popnut.

NB.

Is sold in pairs.
The weight is per pair.

Also available in other dimensions up to Ø400.

Dimensions



Ød nom	t mm	m kg
80	2,0	0,20
100	2,0	0,20
125	2,0	0,20
160	2,0	0,20
200	2,0	0,30
250	2,0	0,30

Order code

