

T-piece

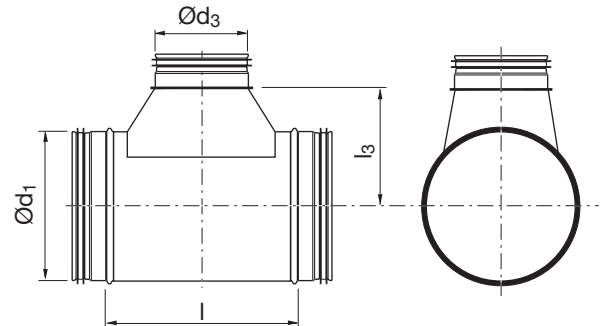
TCU



Description

Centric T-piece with hand made T-piece TSTCU.
Also available in other dimensions up to Ø400.

Dimensions



Ød ₁ nom	Ød ₃ nom	l mm	l ₃ mm	m kg
100	125	240	95	0,56
100	160	280	100	0,68
125	160	280	115	0,77
125	180	300	115	0,85
125	200	335	130	1,01
160	180	335	145	1,21
160	200	335	145	1,21
160	250	385	145	1,52
180	200	335	155	1,32
180	224	360	155	1,41
180	250	385	155	1,58
200	224	360	165	1,50
200	250	385	165	1,68
224	200	385	180	1,94
224	250	385	180	1,94
250	315	460	200	2,55

Order code

Product	TCU	1800	630
Dimension Ød ₁			
Dimension Ød ₃			

