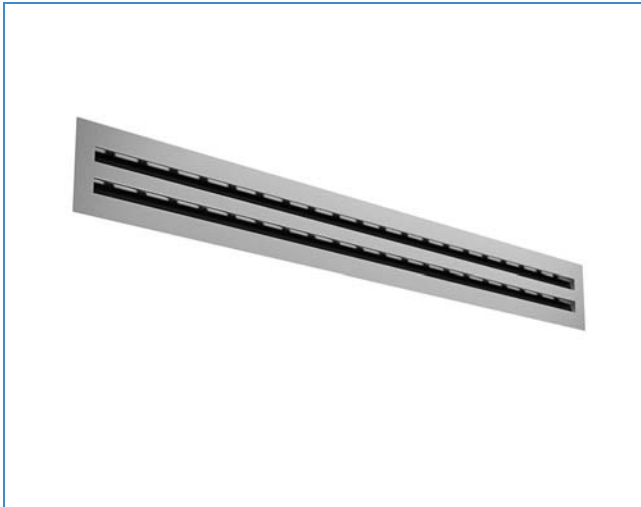


Linear diffuser

MTL



Description

MTL is a rectangular linear diffuser in aluminium. MTL is suitable for both supply and exhaust air. MTL is equipped with air guide baffles, making it possible to use MTL for horizontal supply air. The horizontal dispersal pattern can be easily changed without the use of tools by turning the air guide baffle. The air guide baffle must be removed for vertical supply air.

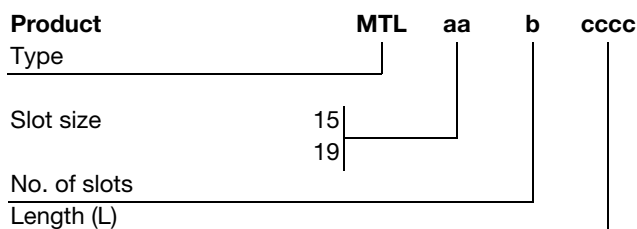
MTL can be supplied in two versions, 15 mm or 19 mm, depending on capacity requirements or aesthetic considerations. MTL can be installed with plenum box STB/STU in order to achieve an even flow and individual adjustment. MTL is normally supplied in lengths up to max. 2 m, but can be supplied on request up to 5 m. MTZ-1 is a 90° joint, when an aesthetically pleasing corner is required.

- Discrete appearance
- Used for both supply air and exhaust
- Horizontal and vertical supply air.

Maintenance

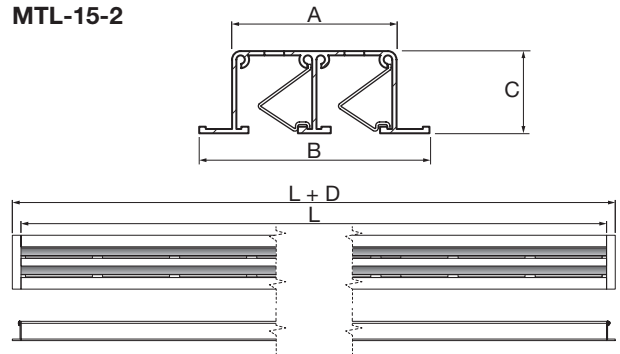
MTL can be removed to enable cleaning of internal parts or to gain access to the duct or box. The visible parts of the diffuser can be wiped with a damp cloth.

Order code

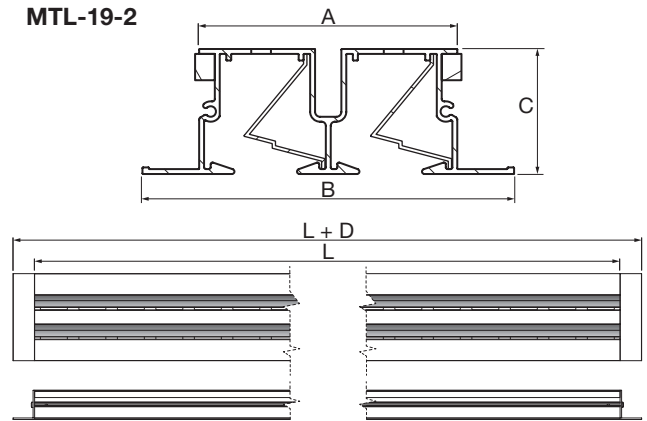


Dimensions

MTL-15-2



MTL-19-2



Both ends are equipped with flanges.

Slot width: 15 mm

No. of slots	A mm	B mm	C mm	D mm
1	25	45	25	30
2	50	70	25	30
3	75	95	25	30
4	100	120	25	30

Cutout: A + 10 mm x L + 10 mm

Slot width: 19 mm

No. of slots	A mm	B mm	C mm	D mm
1	40	75	38	56
2	79	113	38	56
3	117	151	38	56
4	157	189	38	56

Cutout: A + 20 mm x L + 20 mm

Materials and finish

Slot: Aluminium
 Standard finish: Natural anodised
 Air guide baffle: Black ABS plastic

The diffuser is available in other colours. Please contact Lindab's sales department for further information.

