

Transition piece

ITPU

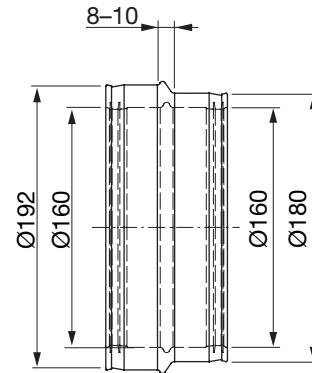


Description

The transition piece is double-jacketed and insulated with mineral wool, and is supplied with Lindab Safe rubber seal on the inner dimension.

Used when connecting insulated duct systems to Lindab standard insulated Marine system.

Dimensions



Weight: 0,41 kg

Order code

	ITPU	192	180
Product			
Dimension			
Dimension			

