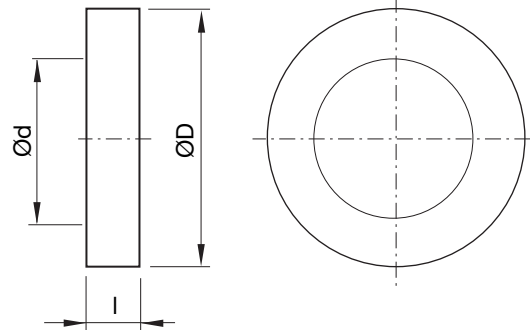


# End cap

# EBSRN



## Dimensions



### Description

The EBSRN is used for the covering the insulation on SRIN/ SRIPN when connecting with uninsulated ducts or fittings.

Ød nom	Ød mm	ØD mm	l mm	m kg
80	85	115	25	0,05
100	105	135	25	0,10
125	130	160	25	0,10
160	165	195	25	0,10
180	185	203	25	0,10
200	205	235	25	0,15
224	230	264	25	0,23
250	255	284	25	0,30

### Ordering example

