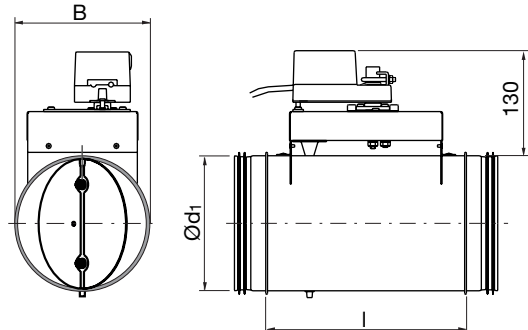


# Constant flow damper

# DAVU



## Dimensions



## Description

### Constant flow damper with electric motor for continuous setting of one flow

DAVU is a constant flow damper, which facilitates balancing of ventilation systems and gives correct flow from the start. The unit compensates e.g. connection and disconnection of system parts, clogging of filters and ducts, thermal lift forces, wind effects, window opening etc. The motor shall be completed with control signal transmitter e.g. an external potentiometer or a proportionally regulating thermostat. Ø 80–315 fullfills pressure class A in closed position. Fulfils tightness class C.

There is a separate assembly, measuring, balancing and maintenance instruction for this product.

Ød <sub>1</sub> nom	l mm	B mm	m kg	Tightness class across closed blade
80	246	122	1,95	0
100	246	122	2,00	0
125	246	135	2,25	0
160	246	170	2,45	0
200	246	210	2,86	0
250	284	260	3,95	0
315	334	325	5,35	0

## Order code

	<b>DAVU</b>	<b>125</b>	<b>24</b>	<b>LMSR</b>
Product				
Dimension Ød <sub>1</sub>				
Voltage				
Motor type				

