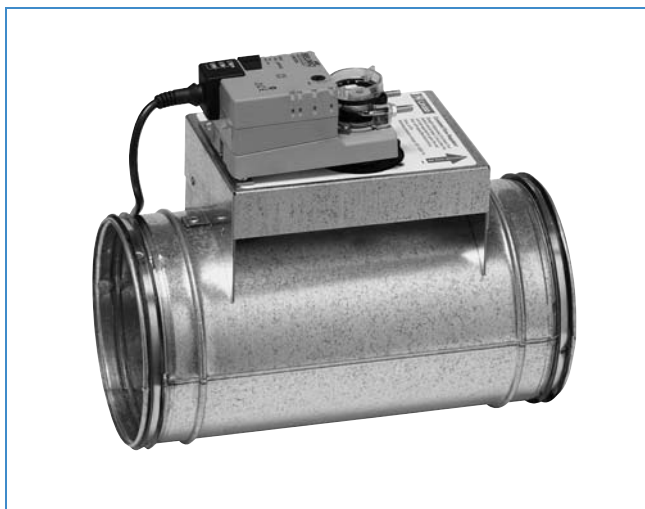
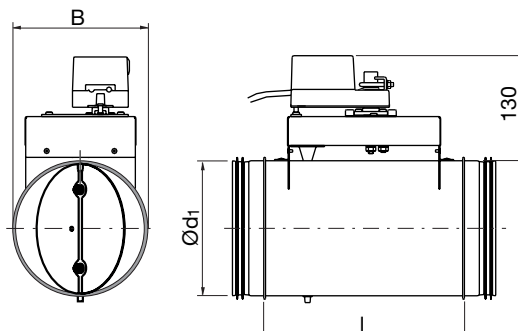


Constant flow damper

DA2EU



Dimensions



Description

Constant flow damper with electric motor for switching between two flows

DA2EU is a constant flow damper, which facilitates balancing of ventilation systems and gives correct flow from the start.

The unit compensates e.g. connection and disconnection of system parts, clogging of filters and ducts, thermal lift forces, wind effects, window opening etc.

The motors shall be completed with a switch. The switch can in turn be controlled either manually with timer, with on/off-thermostat, with attendance transmitter or similar.

Ø 80–315 fullfills pressure class A in closed position.

Fulfils tightness class C.

There is a separate assembly, measuring, balancing and maintenance instruction for this product.

Ød ₁ nom	l mm	B mm	m kg	Tightness class across closed blade
80	246	122	1,95	0
100	246	122	2,00	0
125	246	135	2,25	0
160	246	170	2,45	0
200	246	210	2,86	0
250	284	260	3,95	0
315	334	325	5,35	0

Order code

Product	DA2EU	125	24	LM
Dimension Ød ₁				
Voltage				
Motor type				

