

Bend

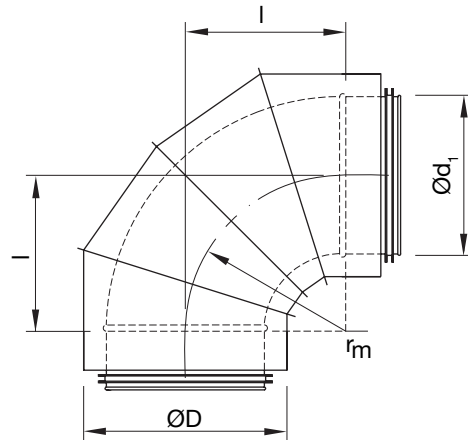
BUIN 90°



Description

The bend is double-jacketed and insulated with mineral wool, and is supplied with Safe rubber seal in the inner dimension.

Dimensions



$$r_m = 1 \times \text{Ø}d_1$$

Ød ₁ nom	ØD mm	l mm	m kg
80	112	105	0,70
100	132	100	0,85
125	157	125	1,20
160	192	160	2,05
180	200	180	2,30
200	232	200	2,95
224	260	225	3,60
250	280	250	4,45

Ordering example

