

Ventilator grill, standard

B3020/B



Description

B3020 is a rectangular aluminium grille with fixed horizontal bars. B3020 is used for both supply and exhaust air, and is supplied as standard with springs for installation in plenum boxes type VBA, WB or mounting frame type GGR. B3020 can also be used with volume regulator GAT.

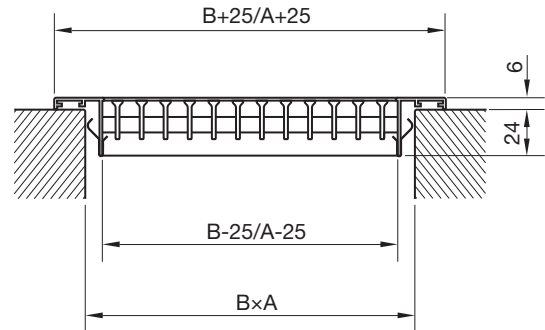
Maintenance

The grille should be removed to gain access to the plenum box or duct. The external parts should be wiped with a damp cloth.

Accessories

Plenum box: VBA, WB
 Mounting frame: GGR
 Volume regulator: GAT

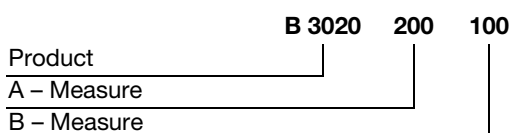
Dimensions



A mm	x	B mm	F m ²	m kg
200	x	100	0,0072	0,30
300	x	100	0,0113	0,40
400	x	100	0,0155	0,50
500	x	100	0,0195	0,70
300	x	150	0,0189	0,60
400	x	150	0,0258	0,70
500	x	150	0,0326	1,00
600	x	150	0,0395	1,20
400	x	200	0,0265	0,80
500	x	200	0,0457	1,40
600	x	200	0,0553	1,60

Other sizes and types: see page 170.

Order code



Materials and finish

Grille: Aluminium
 Standard finish: Natural anodised
 On request: RAL 9010, gloss 30

The grille is available in other colours. Please contact Lindab's sales department for further information.

