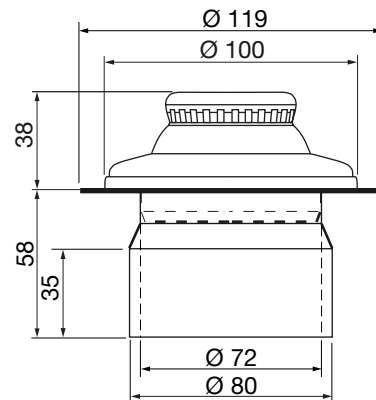


Defroster nozzle

DNOC



Dimensions



Description

Jet nozzle for defrosting windows. Especially suitable for bridge or wheelhouse. Low installation depth.

- Swiveling range 40 degrees.
- Flow is infinitely adjustable.
- Installation depth 40 mm max.
- Projection opening 42 mm.

Maintenance

The visible part of the nozzle can be wiped with a damp cloth.

Options

The diffuser can be ordered separately without the socket for mounting directly in plenum box (DNO).

Socket can be ordered separately (VRSL)

Material and Finish

Nozzle: ABS
 Colour: Medium grey, S.U. 50
 Socket: Galvanized steel, powder coated
 Colour: RAL 7040

Order code

Product _____ **DNOC**

