

Roof hood

VH



Description

Roof hood VH is constructed as outdoor air inlet for both industrial and comfort ventilation, but can also be used as exhaust air hood.

The hood is made of galvanized steel sheet, but can on order also be delivered in other materials like stainless steel, aluminium and powder painted sheet metal in different colours. It is provided with net and sleeve, which secures an effective protection against rain, falling leaves etc.

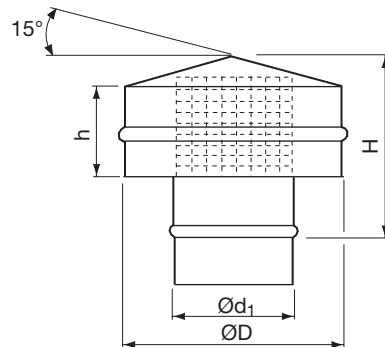
The standard design is with a coupling connection, but the hood can on order be delivered with flange or connection as desired.

VH can also be delivered in intermediate dimensions.

Note:

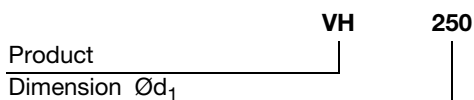
When used as an air inlet hood it is recommended that the velocity in the connection duct is kept below 5 m/s in order to avoid water to be dragged in.

Dimensions



Ød ₁ nom	ØD mm	h mm	H mm	Free area net m ²	Free area D-d ₁ m ²	m kg
80	180	60	133	0,013	0,020	0,70
100	180	60	133	0,017	0,018	0,70
125	224	60	139	0,022	0,027	0,90
160	290	60	148	0,029	0,046	1,10
200	360	100	197	0,056	0,070	1,90
250	450	100	228	0,077	0,110	2,60
315	570	100	244	0,105	0,177	4,10

Ordering example

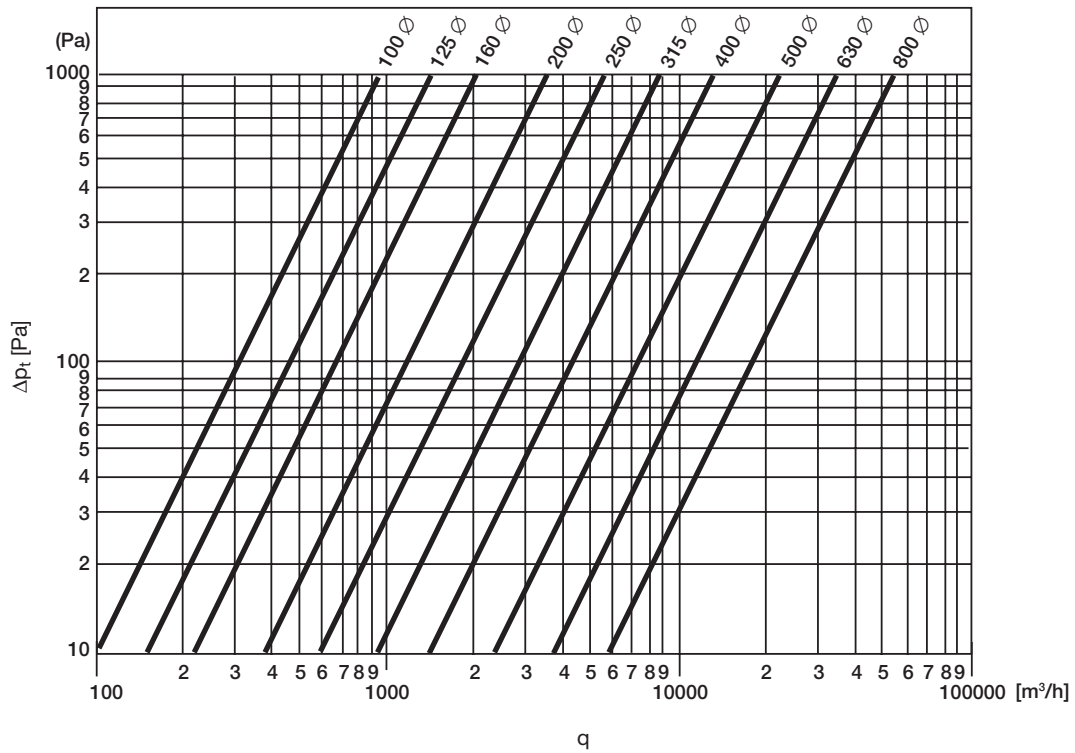


Roof hood

VH

Technical data

Extract air



Outdoor air

