

# Suspension rings

# UVH25

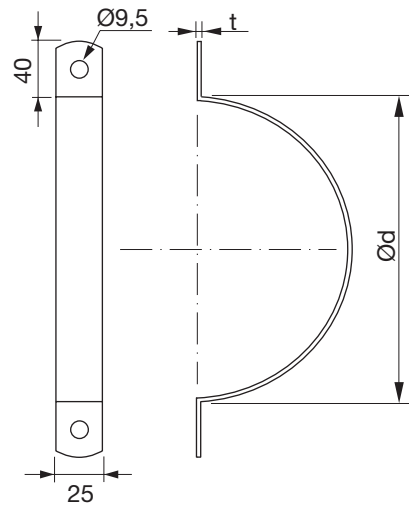


## Description

For suspension of circular ducting. For insulated duct it is recommended that the suspension ring is mounted inside the insulation.

N.B. Is sold in pairs.

## Dimensions

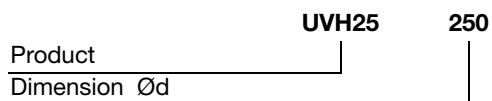


Ød nom	t [mm]	m [kg]
80 *	2,0	0,20
100 *	2,0	0,20
125 *	2,0	0,20
160 *	2,0	0,20
200 *	2,0	0,30
250 *	2,0	0,30
315 *	2,0	0,40
355	2,0	0,50
400 *	2,0	0,50
450	2,0	0,60
500 *	2,0	0,60
560	2,0	0,70
630 *	2,0	0,80

Can also be delivered in additional sizes.

\* can also be delivered in stainless steel 4404.

## Ordering example

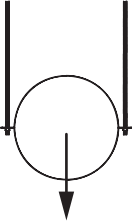


# Suspension rings

UVH25

## Technical data

Max recommended load for different fire classes.



Installation	Ventilation system					Smoke control system
	R0 no fire class	R15	R30	R45	R60	
Dim	kg	kg	kg	kg	kg	600 °C 120 min. kg
80-355	160	160	160	160	160	160
400-630	160	-	-	-	-	160