

# Shut-off damper with motor

# DTBLU



## Description

Shut-off damper with electric motor LM 24 A-F, LM 230 A-F, CM 24 F or CM 230 F.

Consists of a DTU damper with a 24 or 230 V motor added. Has a low height to fit at narrow spaces.

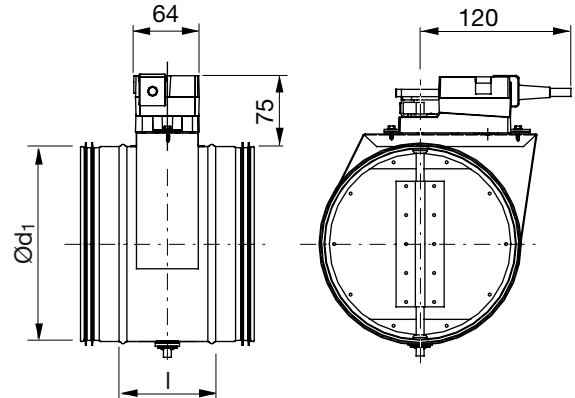
In outdoor installation, the motor should be protected from direct UV radiation.

There is a separate assembly, measuring, balancing and maintenance instruction for this product.

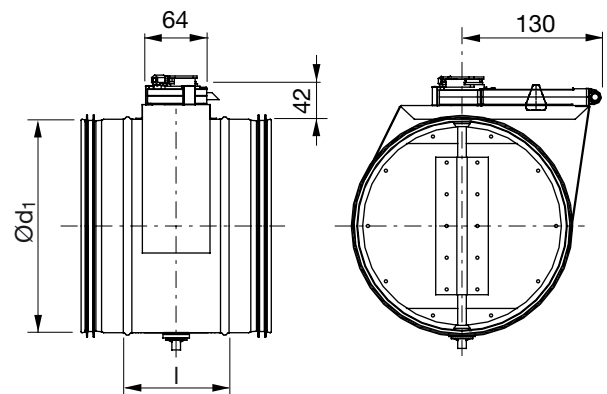
Fulfills pressure class C in closed position.

## Dimensions

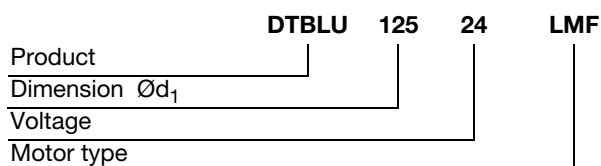
### LM-motor



### CM-motor



## Ordering exaple



- 1
- 2
- 3
- 4
- 5
- 6
- 7
- 8
- 9
- 10
- 11
- 12
- 13
- 14
- 15
- 16
- 17
- 18

# Shut-off damper with motor

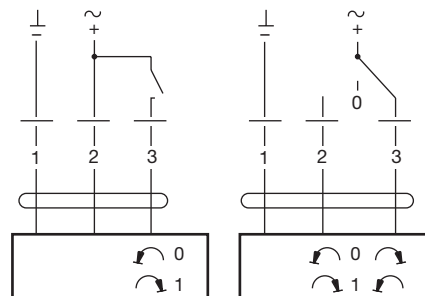
# DTBLU

## Dimensions

| Ød <sub>1</sub><br>nom | l<br>mm | m<br>kg | Motor<br>type | Sealing<br>class past<br>closed<br>blade | Pressure<br>class in<br>closed<br>position |
|------------------------|---------|---------|---------------|------------------------------------------|--------------------------------------------|
| 80                     | 100     | 0,50    | CM            | 4                                        | C                                          |
| 80                     | 100     | 0,79    | LM            | 4                                        | C                                          |
| 100                    | 100     | 0,58    | CM            | 4                                        | C                                          |
| 100                    | 100     | 0,87    | CM            | 4                                        | C                                          |
| 125                    | 100     | 0,73    | CM            | 4                                        | C                                          |
| 125                    | 100     | 1,02    | LM            | 4                                        | C                                          |
| 150                    | 100     | 0,83    | CM            | 4                                        | C                                          |
| 150                    | 100     | 1,12    | LM            | 4                                        | C                                          |
| 160                    | 100     | 0,94    | CM            | 4                                        | C                                          |
| 160                    | 100     | 1,23    | LM            | 4                                        | C                                          |
| 200                    | 100     | 1,53    | LM            | 4                                        | C                                          |
| 250                    | 100     | 2,01    | LM            | 4                                        | C                                          |
| 315                    | 100     | 2,63    | LM            | 4                                        | C                                          |

## Technical data for the motors

|                                 | <b>LM 24 A-F</b>                           | <b>LM 230 A-F</b>                 |
|---------------------------------|--------------------------------------------|-----------------------------------|
| Power supply .....              | AC 19,2–28,8 V, 50/60 Hz<br>DC 19,2–28,8 V | AC 65–265 V, 50/60 Hz             |
| Power consumption .....         | 1 W                                        | 1,5 W                             |
| For wire sizing .....           | 2 VA                                       | 4 VA                              |
| Connection .....                | Cable 1 m, 3x0,75 mm <sup>2</sup>          | Cable 1 m, 3x0,75 mm <sup>2</sup> |
| Operating angle .....           | Max. 95°, adjustable 0–100%                | Max. 95°, adjustable 0–100%       |
| Torque at rated voltage .....   | Min. 5 Nm                                  | Min. 5 Nm                         |
| Direction of rotation .....     | Switch selectable<br>0 ↺ or 1 ↻            | Switch selectable<br>0 ↺ or 1 ↻   |
| Position indication .....       | Mechanical                                 | Mechanical                        |
| Running time for 95° .....      | 150 s                                      | 150 s                             |
| Sound power level .....         | Max. 35 dB (A)                             | Max. 35 dB (A)                    |
| Protection class .....          | III Safety extra-low voltage               | II Safety insulated               |
| Protection type .....           | IP 54                                      | IP 54                             |
| Ambient temperature range ..... | -30 to +50°C                               | -30 to +50°C                      |
| Ambient moisture .....          | 95 % RH                                    | 95 % RH                           |



|                                 | <b>CM 24 F</b>                             | <b>CM 230 F</b>                   |
|---------------------------------|--------------------------------------------|-----------------------------------|
| Power supply .....              | AC 19,2–28,8 V, 50/60 Hz<br>DC 19,2–28,8 V | AC 65–265 V, 50/60 Hz             |
| Power consumption .....         | 0,5 W                                      | 1,5 W                             |
| For wire sizing .....           | 1 VA                                       | 3 VA                              |
| Connection .....                | Cable 1 m, 3x0,75 mm <sup>2</sup>          | Cable 1 m, 3x0,75 mm <sup>2</sup> |
| Operating angle .....           | Continuously rotating                      | Max. 95°, adjustable 0–100%       |
| Torque at rated voltage .....   | Min. 2 Nm                                  | Min. 2 Nm                         |
| Direction of rotation .....     | -L or -R                                   | -L or -R                          |
| Position indication .....       | Mechanical, removable                      | Mechanical, removable             |
| Running time for 90° .....      | 75 s                                       | 75 s                              |
| Sound power level .....         | Max. 35 dB (A)                             | Max. 35 dB (A)                    |
| Protection class .....          | III Safety extra-low voltage               | II Safety insulated               |
| Protection type .....           | IP 54                                      | IP 54                             |
| Ambient temperature range ..... | -30 to +50°C                               | -30 to +50°C                      |
| Ambient moisture .....          | 95 % RF                                    | 95 % RF                           |

