

# Circular suspension

# DRSN



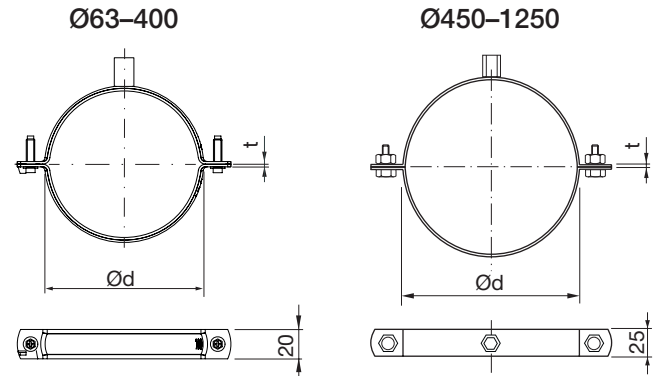
## Description

### For suspension of circular ducting.

Combined connection nut M8/M10 and slotted quick closure for Ø 63–400.



## Dimensions



### Ø63–400

With slotted quick closure.  
With screw M6×20 and head: hex 1/4" and PH2.  
Connection nut M8+M10.

### Ø450–1250

With Ø 10 hole.  
With bolt and nut H17 M10×30.  
Connection nut M8+M10.

Ød nom	t [mm]	m [kg]
63	1,5	0,12
80	1,5	0,13
100	1,5	0,15
125	1,5	0,17
140	1,5	0,19
150	1,5	0,19
160	1,5	0,20
180	1,5	0,22
200	1,5	0,24
224	1,5	0,26
250	1,5	0,28
280	1,5	0,32
300	1,5	0,34
315	1,5	0,36
355	1,5	0,41
400	1,5	0,45
450	2,5	0,83
500	2,5	0,91
560	2,5	1,00
600	2,5	1,06
630	2,5	1,10
710	2,5	1,36
800	2,5	1,49
900	2,5	1,64
1000	2,5	1,82
1120	2,5	2,00
1250	2,5	2,20

## Ordering example

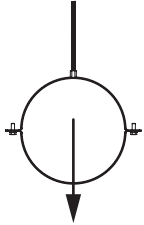
Product	DRSN	250
Dimension Ød		

# Circular suspension

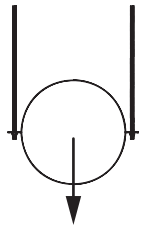
# DRSN

## Technical data

Max recommended load for different fire classes.



Installation	Ventilation system					Smoke control system
	R0 no fire class kg	R15 kg	R30 kg	R45 kg	R60 kg	
Dim						600 °C 120 min. kg
63-600	65	-	-	-	-	-
630-1250	65	-	-	-	-	-



Installation	Ventilation system					Smoke control system
	R0 no fire class kg	R15 kg	R30 kg	R45 kg	R60 kg	
Dim						600 °C 120 min. kg
450-1250	160	-	-	-	-	158