

Outer panel joint

CPJO



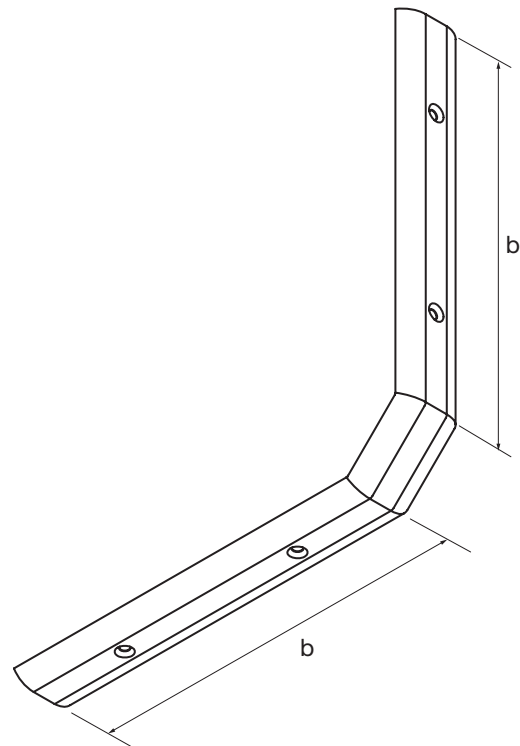
Description

Outer panel joint to hide gap between panels, CP or corners, CCI, CCO . Is used with 2 CPJI and 4 FTK.

Materials and finish

Colour
White RAL 9002, gloss 30

Dimensions



Panel dim nom	b [mm]	m [kg]
100	160	0,07
125	188	0,08
160	228	0,09

Ordering example

Product	CPJO	100
Panel dimension		