

# Bend

# BUI 30°

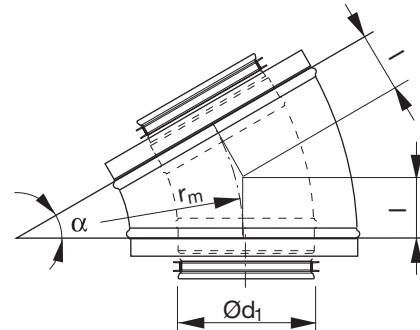
- 1
- 2
- 3
- 4
- 5
- 6
- 7
- 8
- 9
- 10
- 11
- 12
- 13
- 14
- 15
- 16
- 17
- 18



## Description

Bend with pressed outer casing.

## Dimensions



$$r_m \approx (0.8-2) \cdot d_1$$

### 25 mm insulation.

$\varnothing d_1$ nom	l mm	m kg
100	40	0,90
125	47	1,20
150	54	1,40
160	67	1,60
200	67	2,60

### 50 mm insulation.

$\varnothing d_1$ nom	l mm	m kg
100	54	1,20
125	60	1,40
150	67	2,20

## Ordering example

