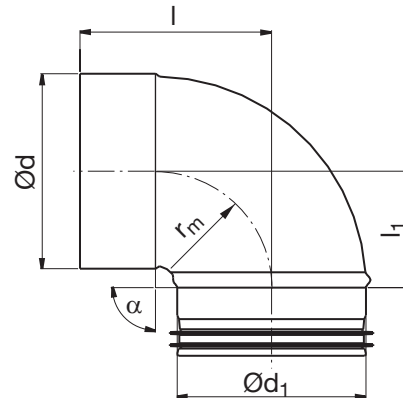


Bend – Casting-in programme

BKMU 90°



Dimensions



$$r_m = 0,6 \cdot d_1$$

Description

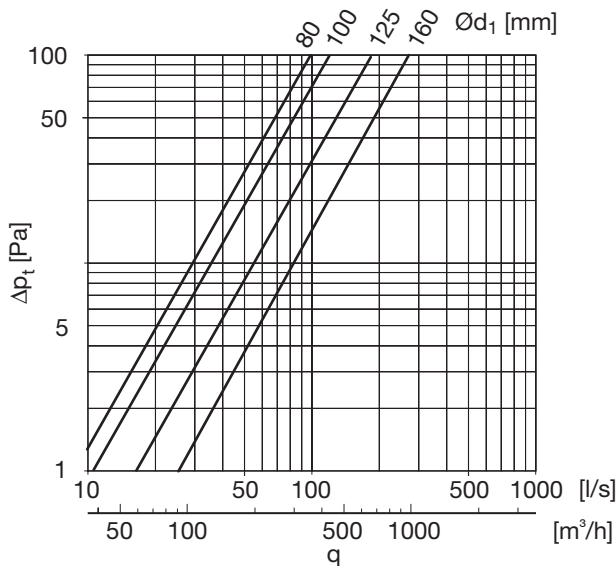
Pressed and seam welded bend with short installation length and female end.

Has Click function at the Safe end – has an open turned-over end.

Has normally not any Click function at the female end – hasn't any notches.

Ø 100–160 can upon order be delivered with click function at the female end as well – i.e. with notches.

| Ød ₁ nom | Ød nom | l [mm] | l ₁ [mm] | m kg |
|---------------------|--------|--------|---------------------|------|
| 80 | 80 | 123 | 80 | 0,13 |
| 100 | 100 | 105 | 62 | 0,21 |
| 125 | 125 | 120 | 79 | 0,31 |
| 160 | 160 | 136 | 94 | 0,63 |



Ordering example

