

# Smoke silencers, circular



# Content

---

## Circular straight



SLUSS2 50 .....	3
SLUSS2 100 .....	4

---

## Circular straight with pod



SLGPUSS2 100 .....	5
--------------------	---

---

## Circular curved



BSLUSS2 50 .....	7
BSLUSS2 100 .....	8

---

# Circular straight silencer

# SLUSS2 50

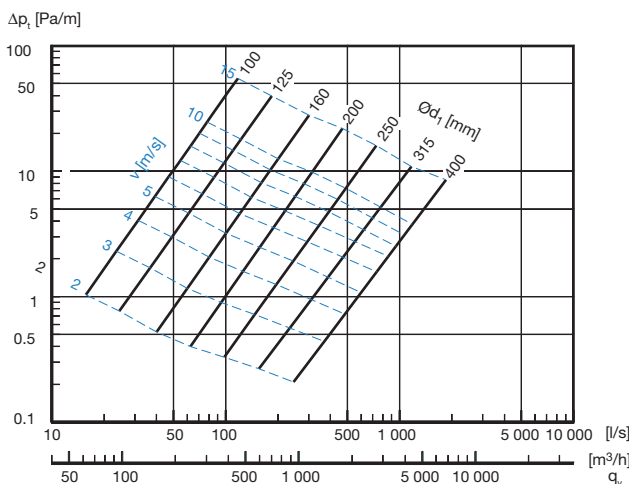


## Description

SLUSS2 50 is a circular straight silencer with a connection diameter available between 100 - 400 mm. Nominal insulation thickness 50 mm. Attenuation material is mineral wool. The SLUSS2's are made of strong outer spiral seemed tube and an inner tube made of sheet steel with small openings to be able to withstand mechanical cleaning and at the same time not interfere with the insertion loss. The space between them is filled with mineral wool and a nonwoven cloth is inserted between inner tube and the attenuation material, to prevent fibers from the insulation getting into the duct system. Tested according to ISO 7235 standard.

SLUSS2 50 is tested with the whole Lindab smoke evacuation system according to EN 1366-9.

## Technical data

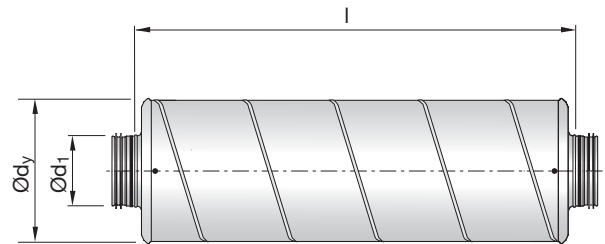


## Order code

<b>Product</b>	<b>SLUSS2</b>	<b>aaa</b>	<b>bbbb</b>	<b>50</b>
SLUSS2				
<b>Connection dim. <math>\text{Ø}d_1</math> nom</b>	100 - 400 mm			
<b>Length in mm (<math>l_{nom}</math>)</b>	300 - 1200 mm			
<b>Nominal Insulation thickness</b>	50 mm			

Example: SLUSS2 - 100 - 600 - 50

## Dimensions and sound data



$\text{Ø}d_1$ nom [mm]	$l_{nom}$ [mm]	Insertion loss [dB] for centre frequency [Hz]								$\text{Ø}d_y$ [mm]	$l$ [mm]	$m$ [kg]
		63	125	250	500	1k	2k	4k	8k			
100	300	1	5	7	15	25	25	21	13	210	360	2,0
100	600	1	7	12	25	43	48	35	20	210	660	3,0
100	900	2	10	17	34	50	50	49	28	210	960	5,0
100	1200	3	12	22	44	50	50	50	35	210	1260	7,0
125	300	0	4	5	13	23	20	16	11	235	365	3,0
125	600	1	5	10	22	39	37	26	16	235	665	4,0
125	900	1	7	14	30	50	50	37	21	235	965	7,0
125	1200	2	9	18	39	50	50	47	26	235	1265	9,0
160	300	0	3	5	11	22	16	11	7	270	370	3,0
160	600	1	4	8	19	37	28	17	11	270	670	6,0
160	900	1	5	12	27	50	39	24	14	270	970	8,0
160	1200	2	6	15	35	50	50	30	17	270	1270	10,0
200	300	0	2	4	9	19	11	7	5	310	385	4,0
200	600	1	3	8	15	28	19	12	8	310	685	7,0
200	900	2	4	11	21	37	28	16	10	310	985	10,0
200	1200	2	5	14	27	46	36	21	13	310	1285	12,0
250	600	1	2	6	14	26	14	8	7	365	600	9,0
250	900	1	3	9	19	38	19	11	9	365	900	12,0
250	1200	2	4	11	24	50	24	13	11	365	1200	15,0
315	300	0	1	2	6	12	5	4	4	427	300	12,0
315	600	0	2	4	10	22	9	6	7	427	600	12,0
315	900	2	3	7	16	31	13	8	9	427	900	18,0
315	1200	2	3	8	20	39	16	9	10	427	1200	24,0
400 * 300	0	1	2	3	3	3	2	1	1	508	300	16,0
400 * 600	0	2	4	8	10	5	4	4	4	508	600	16,0
400 * 900	0	2	5	12	16	7	5	6	6	508	900	22,0
400 * 1200	0	2	7	16	20	9	6	7	7	508	1200	32,0

There is given max. attenuation values of 50 dB in the table above.

\* Supplied with two loose couplings.

# Circular straight silencer

# SLUSS2 100



## Description

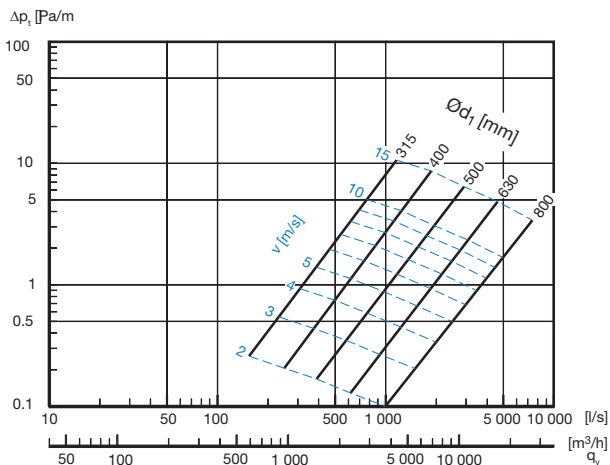
SLUSS2 100 is a circular straight silencer with a connection diameter available between 315 - 800 mm. For smaller sizes, see SLUSS2 50.

Nominal insulation thickness 100 mm. Attenuation material is mineral wool. The SLUSS2's are made of an outer spiral seamed tube and an inner tube made of perforated sheet steel. The space between them is filled with mineral wool and a fibre cloth is inserted between the perforated sheet metal and the attenuation material, to prevent damage to the insulation material and fibers from getting into the duct system.

Tested according to ISO 7235 standard.

SLUSS2 100 is tested with the whole Lindab smoke evacuation system according to EN 1366-9.

## Technical data

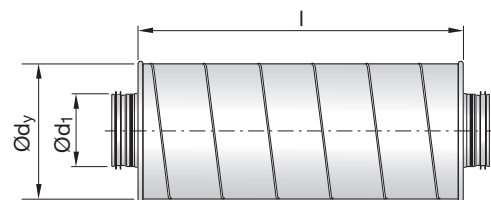


## Order code

<b>Product</b>	<b>SLUSS2</b>	<b>aaa</b>	<b>bbbb</b>	<b>100</b>
SLUSS2				
<b>Connection dim. Ød<sub>1 nom</sub></b>				
315 - 800 mm				
<b>Length in mm (l<sub>nom</sub>)</b>				
600 - 1500 mm				
<b>Nominal Insulation thickness</b>				
100 mm				

Example: SLUSS2 - 315 - 1200 - 100

## Dimensions and sound data



Ød <sub>1 nom</sub> [mm]	l <sub>nom</sub> [mm]	Insertion loss [dB] for centre frequency [Hz]								Ød <sub>y</sub> [mm]	l [mm]	m [kg]
		63	125	250	500	1k	2k	4k	8k			
315	600	2	5	9	14	12	6	4	5	510	600	12,0
315	900	3	6	13	20	19	10	6	7	510	900	18,0
315	1200	4	8	16	27	25	15	9	10	510	1200	24,0
400 *	600	4	5	8	10	7	4	4	6	625	600	16,0
400 *	900	4	5	10	17	13	6	6	8	625	900	22,0
400 *	1200	6	6	13	24	18	8	7	10	625	1200	32,0
500 *	900	4	4	10	14	8	4	6	6	735	900	26,0
500 *	1200	3	5	11	21	12	6	7	9	735	1200	39,0
630 *	900	2	3	7	12	5	4	4	5	880	900	44,0
630 *	1200	2	4	8	17	7	4	5	7	880	1200	56,0
800 *	1200	2	3	8	11	5	4	5	6	1030	1200	69,0
800 *	1500	2	3	10	16	6	5	6	7	1030	1500	86,0

\* Supplied with two loose couplings (Type NPU).

There is given max. attenuation values of 50 dB in the table above.

# Circular straight silencer SLGPUSS2 100 with pod



## Description

SLGPUSS2 100 is a circular straight silencer with pod.

Insulation thickness 100 mm.

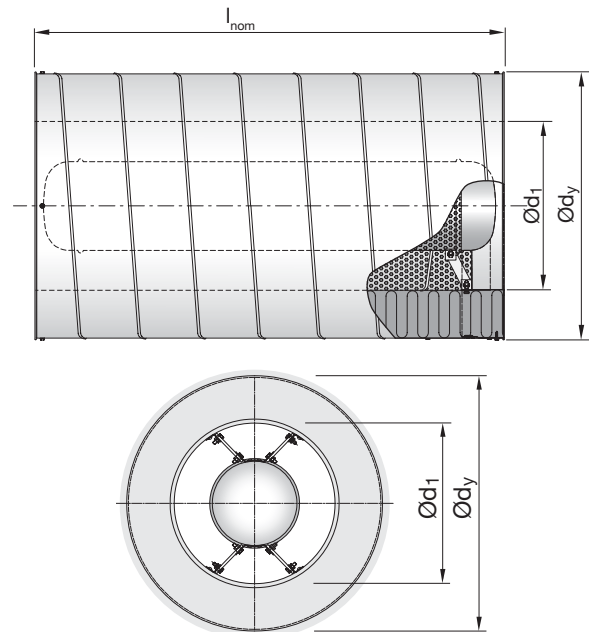
Attenuation material is glass wool.

Material galvanized steel.

Tested according to ISO 7235 standard.

SLGPUSS2 100 is tested with the whole Lindab smoke evacuation system according to EN 1366-9.

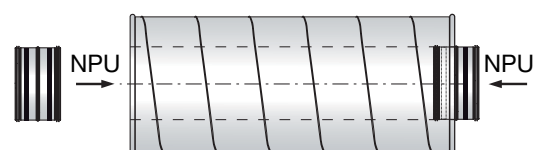
## Dimensions and sound data



Ød <sub>1 nom</sub> [mm]	l <sub>nom</sub> [mm]	Insertion loss [dB] for centre frequency [Hz]								Ød <sub>y</sub> [mm]	m [kg]
		63	125	250	500	1k	2k	4k	8k		
400	600	2	4	11	21	28	31	23	15	625	21
400	900	3	6	16	30	37	40	30	19	625	28
400	1200	3	7	19	35	37	40	33	22	625	36
500	600	1	3	8	18	25	26	20	10	735	25
500	900	2	5	14	27	33	35	24	14	735	34
500	1200	3	6	17	31	37	41	28	17	735	44
630	900	2	4	12	20	30	24	19	9	880	44
630	1200	2	5	14	23	37	30	21	12	880	56
710	900	3	5	11	21	27	23	17	11	930	55
710	1200	2	5	14	19	25	17	12	12	930	69
800	900	3	6	13	20	26	20	15	12	1030	57
800	1200	3	7	15	25	31	22	17	13	1030	74
800	1500	4	8	19	31	37	27	19	15	1030	85
900	900	2	4	10	20	21	17	13	13	1150	63
900	1200	3	5	13	25	25	19	14	13	1150	80
900	1500	3	6	16	31	30	21	16	14	1150	89
900	1800	3	7	19	36	34	23	17	14	1150	114
1000	900	2	4	11	23	20	14	12	12	1280	69
1000	1200	2	5	13	26	23	16	13	13	1280	90
1000	1500	3	6	16	31	27	18	15	15	1280	109
1000	1800	3	7	20	38	34	22	17	17	1280	126

Supplied with two loose couplings.

## Loose couplings (NPU) for SSLGPUSS2 100



## Order code

<b>Product</b>	SLGPUSS2	aaa	bbbb	100
SLGPUSS2				
<b>Connection dim. Ød<sub>1 nom</sub></b>				
400 - 1000 mm				
<b>Length in mm (l<sub>nom</sub>)</b>				
600 - 1800 mm				
<b>Nominal Insulation thickness</b>				
100 mm				

Example: SLGPUSS2 - 400 - 900 - 100

# Circular straight silencer SLGPUSS2 100 with pod

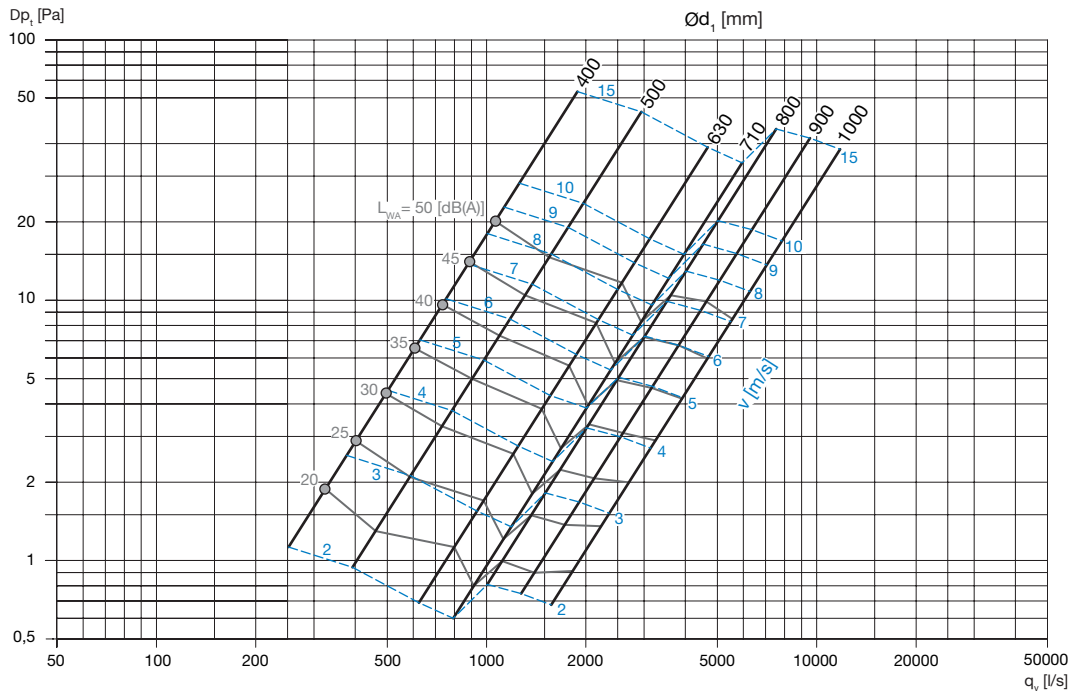
## Technical data

### Pressure loss $\Delta p_t$ [ Pa ]

#### SLGPUSS2 100, Insulation thickness 100 mm, long models

$\varnothing d_1$  : 400 - 500 mm    L = 600 mm

$\varnothing d_1$  : 630 - 1000 mm    L = 900 mm

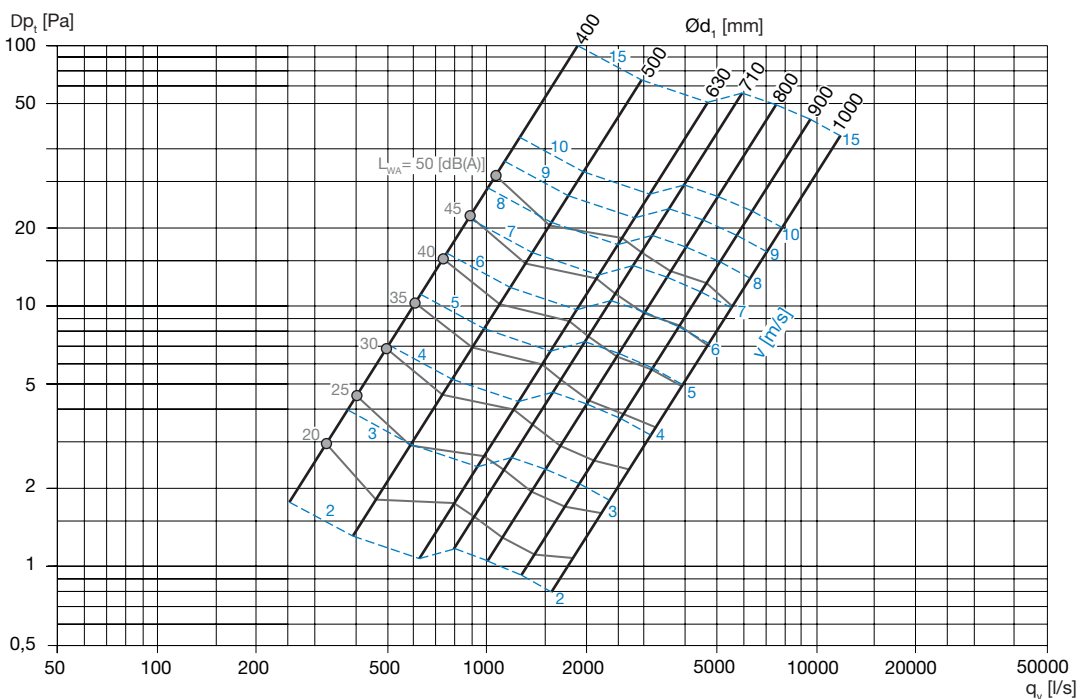


#### SLGPUSS2 100, Insulation thickness 100 mm, long models

$\varnothing d_1$  : 400 - 710 mm    L = 1200 mm

$\varnothing d_1$  : 800 mm    L = 1500 mm

$\varnothing d_1$  : 900 - 1000 mm    L = 1800 mm



# Circular curved silencer

# BSLUSS2 50



## Description

Lack of space is a frequent problem in air treatment installations. This means that it is often difficult to find enough straight lengths to install a straight silencer.

This problem can be eliminated by installing a curved silencer.

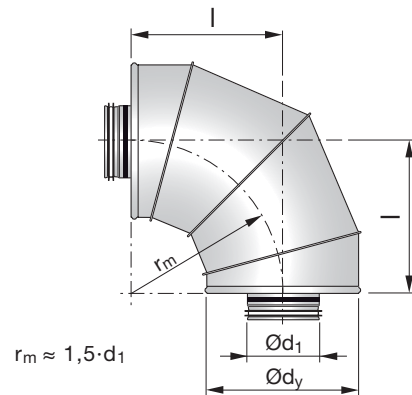
For the same length, it mostly has better attenuation than the equivalent straight silencer. In particular, you get better attenuation at high frequencies (4 and 8 kHz).

Insulation thickness 50 mm.

Tested according to ISO 7235.

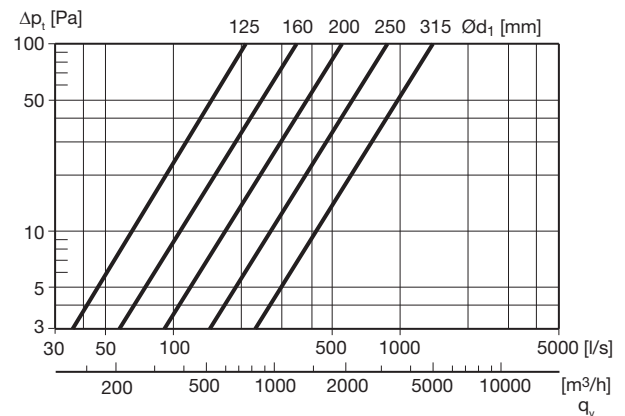
BSLUSS2 50 is tested with the whole Lindab smoke evacuation system according to EN 1366-9.

## Dimensions and sound data



Ød <sub>1</sub> nom	l [mm]	Insertion loss [dB] for centre frequency [Hz]								Ød <sub>y</sub> [mm]	m [kg]
		63	125	250	500	1k	2k	4k	8k		
125	260	3	2	6	14	22	33	26	22	235	3,3
160	285	1	2	6	14	23	29	25	21	270	4,2
200	355	0	2	5	15	29	24	24	20	310	6,3
250	370	1	2	6	17	31	22	27	20	365	10,7
315	370	1	2	7	19	20	17	20	16	427	11,4

## Technical data



## Order code

**Product** BSLUSS2 aaa 50  
 BSLUSS2  
**Connection dim. Ød<sub>1</sub>**  
 Ød<sub>1</sub> = 125 - 315 mm  
**Insulation thickness**  
 50 mm

Example: BSLUSS2 - 200 - 50

# Circular curved silencer

# BSLUSS2 100



## Description

Lack of space is a frequent problem in air treatment installations. This means that it is often difficult to find enough straight lengths to install a straight silencer.

This problem can be eliminated by installing a curved silencer.

For the same length, it mostly has better attenuation than the equivalent straight silencer. In particular, you get better attenuation at high frequencies (4 and 8 kHz).

Insulation thickness 100 mm.

Tested according to ISO 7235.

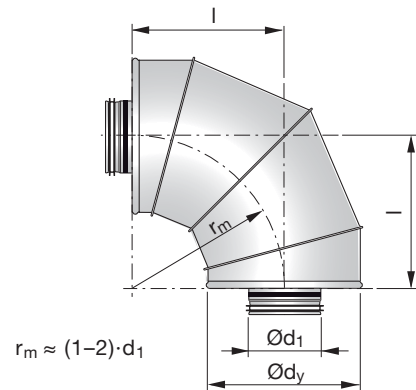
BSLUSS2 100 is tested with the whole Lindab smoke evacuation system according to EN 1366-9.

## Order code

<b>Product</b>	<b>BSLUSS2</b>	<b>aaa</b>	<b>100</b>
BSLUSS2			
<b>Connection dim. Ød<sub>1</sub></b>			
Ød <sub>1</sub> = 125 - 630 mm			
<b>Insulation thickness</b>			
100 mm			

Example: BSLUSS2 - 200 - 100

## Dimensions and sound data



Ød <sub>1</sub> nom	l [mm]	Insertion loss [dB] for centre frequency [Hz]								Ød <sub>y</sub> [mm]	m [kg]
		63	125	250	500	1k	2k	4k	8k		
125	260	7	6	17	22	28	38	33	26	325	7,7
160	280	4	6	13	17	25	33	26	25	365	8,9
200	325	2	5	14	19	29	24	25	22	410	11,8
250	370	3	5	11	15	28	22	26	21	465	16,0
315	375	2	4	10	15	20	17	22	17	510	19,6
400 *	420	2	4	8	13	13	13	14	13	615	29,9
500 *	510	1	4	9	13	10	13	13	12	735	45,0
630 *	610	2	6	13	12	11	12	13	12	880	64,1

\* Supplied with two loose couplings.

## Technical data

