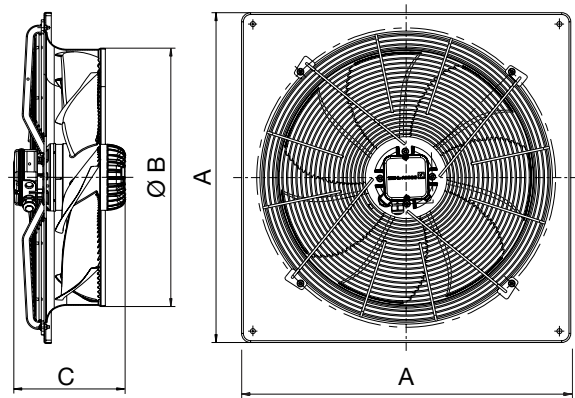


# Plate Mounted Axial Fans

PM



## Dimensions



## Description

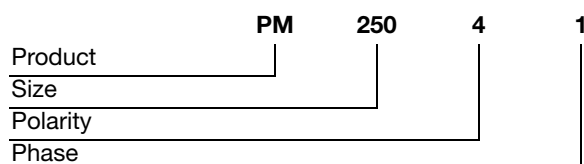
Lindab's plate mounted axial fans are ideal for the supply and extract of air to commercial and industrial applications. With its innovative impellor and unique acoustic characteristics, its ideal for low noise and high efficiency applications.

All fans are speed controllable by voltage reduction or frequency inverter and carry a IP54 protection on their external rotor motor design.

They are suitable for -40°C up to +70°C

Product	A mm	B mm	C mm	m kg
PM250/4/1	370	260	151	4,20
PM315/4/3	430	320	181,5	6,70
PM315/4/1	430	349	172,9	6,70
PM350/4/3	485	388	181,8	7,50
PM350/4/1	485	388	181,8	7,50
PM400/4/3	540	412	181,5	8,70
PM400/4/1	540	412	181,5	8,70
PM450/4/3	575	463	203	16,2
PM450/4/1	575	463	203	16,2
PM500/4/3	655	517	217	20,1
PM500/4/1	655	517	217	20,1
PM560/4/3	725	568	245	24,2
PM560/4/1	725	568	292,3	24,2
PM630/4/3	805	643	245,8	26,7

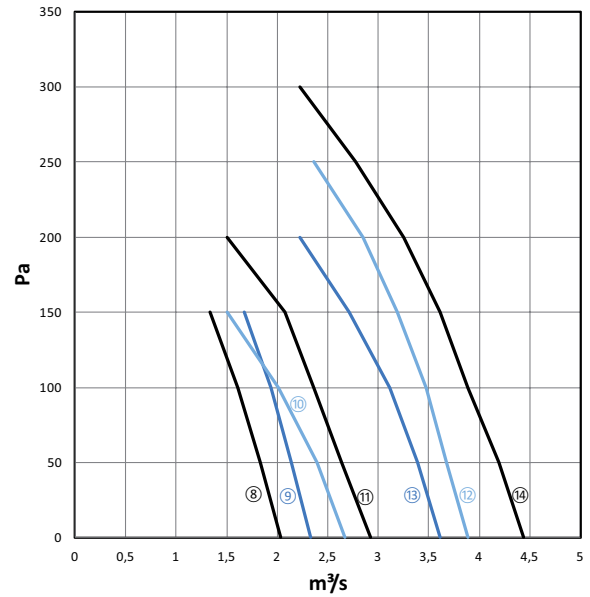
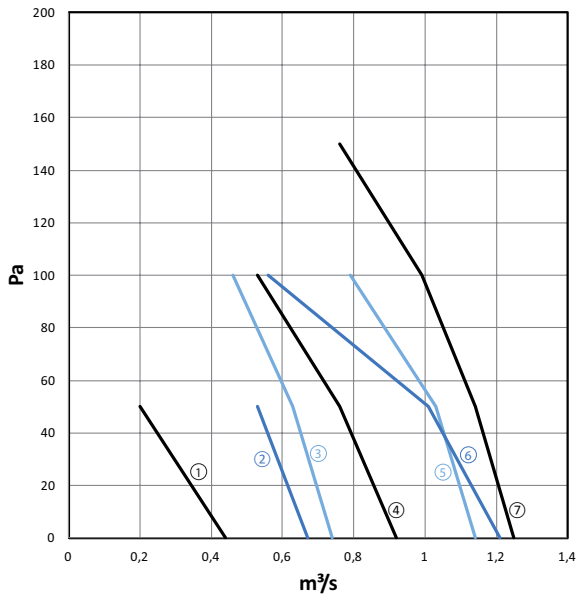
## Ordering example



# Plate Mounted Axial Fans

PM

## Technical data



Graph Ref.	Product	m³/s @ Pa						Motor		Amps	Speed
		0	50	100	150	200	250	300	W	FLC	RPM
1	PM250/4/1	0,44	0,2						0,05	0,24	1370
2	PM315/4/1	0,67	0,53						0,14	0,62	1360
3	PM315/4/3	0,74	0,63	0,46					0,12	0,68	1450
4	PM350/4/1	0,92	0,76	0,53					0,18	0,75	1260
5	PM350/4/3	1,14	1,03	0,79					0,14	0,4	1390
6	PM400/4/1	1,21	1,01	0,56					0,24	1,05	1340
7	PM400/4/3	1,25	1,14	0,99	0,76				0,17	0,46	1360
8	PM450/4/1	2,03	1,83	1,61	1,33				0,56	2,5	1320
9	PM450/4/3	2,33	2,14	1,94	1,67				0,54	1,1	1350
10	PM500/4/1	2,67	2,39	2,01	1,5				0,76	3,3	1230
11	PM500/4/3	2,92	2,64	2,36	2,08	1,5			0,84	1,45	1340
12	PM560/4/1	3,89	3,68	3,47	3,19	2,85	2,36		1,15	5	1330
13	PM560/4/3	3,61	3,39	3,11	2,71	2,22			1,05	2,2	1280
14	PM630/4/3	4,44	4,19	3,89	3,61	3,25	2,78	2,22	2,4	4,6	1320

Graph Ref.	Product	Sound Power Level (Breakout)								dB(A)
		63	125	250	500	1K	2K	4K	8K	@ 3m
1	PM250/4/1	56	63	56	54	53	53	49	41	37
2	PM315/4/1	70	70	65	60	58	59	55	47	45
3	PM315/4/3	75	70	63	60	61	63	59	51	47
4	PM350/4/1	67	70	67	65	58	60	53	45	46
5	PM350/4/3	74	66	61	63	65	63	59	53	48
6	PM400/4/1	72	73	66	63	60	59	54	48	46
7	PM400/4/3	67	67	61	60	60	59	54	48	47
8	PM450/4/1	67	69	70	63	63	63	59	53	49
9	PM450/4/3	72	70	65	65	65	65	59	53	49
10	PM500/4/1	70	75	67	63	67	68	60	52	51
11	PM500/4/3	74	72	66	66	68	68	63	56	52
12	PM560/4/1	79	78	74	74	77	77	73	66	63
13	PM560/4/3	84	78	76	74	75	74	70	63	57
14	PM630/4/3	85	80	77	75	78	77	70	66	63