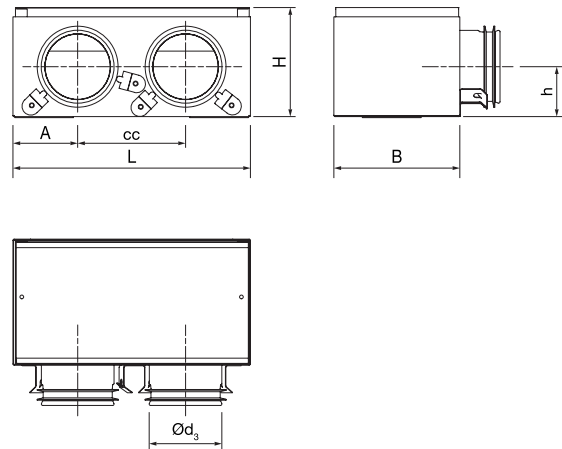


Plenum box wall

PGWU



Dimensions



Description

The plenum box is intended for both supply and exhaust air.

It is intended to accommodate grille AL30C or AL10C for wall installation, which can be supplied with sliding damper SKG.

It is designed for wall installation but can be used at other locations as well. It is telescopic for flexibility at installation.

All types have couplings with Lindab safe sealings for connections of SR spiral-seamed ducts or semiflexible ducts LFPE. Boxes with Ø 76 couplings with Lindab safe sealings are intended for direct connection of the semiflexible duct LFPE. It is not intended for SR spiral-seamed duct.

The Smart Lock function allows you to fasten LFPE effortlessly to the Safe couplings.

Two turnable anchor plates, placed on the bottom of the manifold, can be used for fixation.

Ød ₁ nom	Ød ₃ nom	Type	L mm	B mm	H mm	h mm	cc mm	A mm	m kg	
2010	63	2	203	107	85-110	43	92	56	0,50	
3010	63	3	303	107	85-110	43	89	63	0,70	
2010	*	76	1	203	107	105-130	53	-	102	0,56
2010	76	2	203	107	105-130	53	95	55	0,59	
3010	76	1	303	107	105-130	53	-	152	0,75	
3010	76	2	303	107	105-130	53	126	89	0,78	
2010	80	1	203	107	105-130	53	-	102	0,56	
3010	80	1	303	107	105-130	53	-	152	0,75	
3010	80	2	303	107	105-130	53	126	89	0,78	

Ordering example

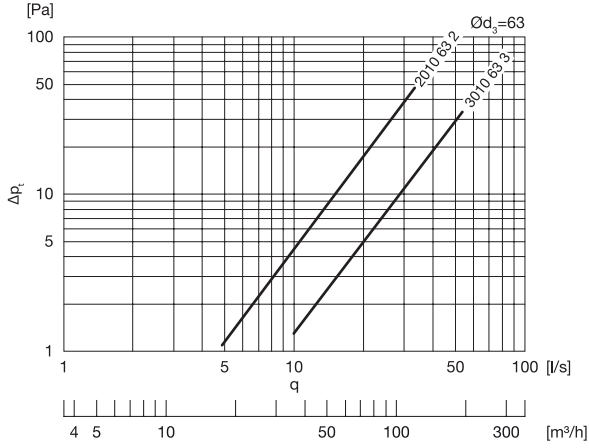
	PGWU	2010	63	2
Product				
Dimension Ød				
Dimension Ød ₃				
Type				

Plenum box wall

PGWU

Technical data

Supply



Exhaust

