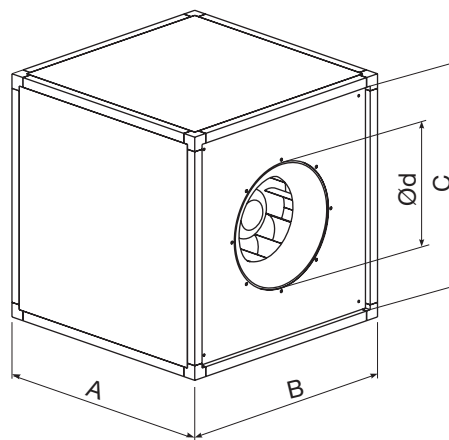


Box Fan

MFF



Dimensions



Description

Duct fan with square connections. Provides High capacity and very good efficiency.

Impeller with backward curved blades. The external rotor motor has maintenance-free sealed ball-bearings. Integrated approved thermal motor protection.

Motor has insulation class F. Enclosure class of the fan is IP 44.

Junction box has enclosure class IP 54. For speed control a transformer or electric speed controller can be connected. The fan housing is manufactured from galvanized sheet steel.

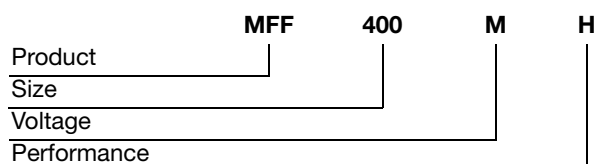
When duct connected the fan can be installed outside or in damp environments.

Easy installation in any position.

Product	Ød mm	A mm	C mm	m kg
MFF400M	400	443	291	12
MFF450M	450	493	291	14
MFF500M	500	543	326	21
MFF600M	600	643	394	29
MFF600T	600	643	394	29
MFF600MH	600	643	394	35
MFF600TH	600	643	441	35
MFF700M	700	743	458	45
MFF700T	700	743	458	45
MFF700MH	700	743	458	49
MFF700TH	700	743	458	49
MFF750M	750	793	503	53
MFF750T	750	793	503	53
MFF750TH	750	793	503	53
MFF850T	850	893	523	62
MFF850TH	850	893	523	75

M = 230 volt
T = 400 volt

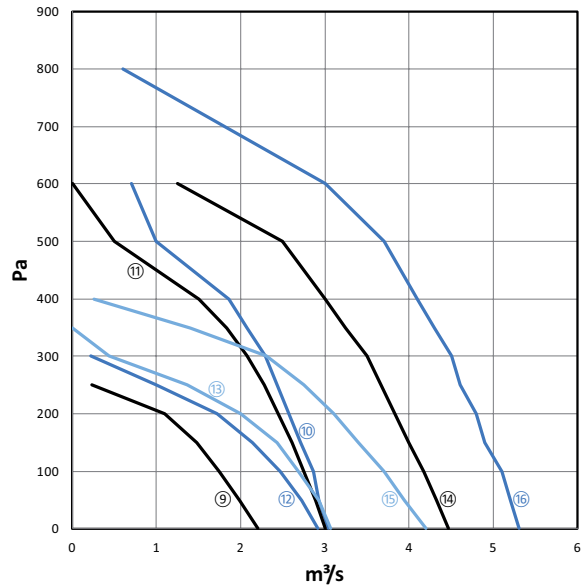
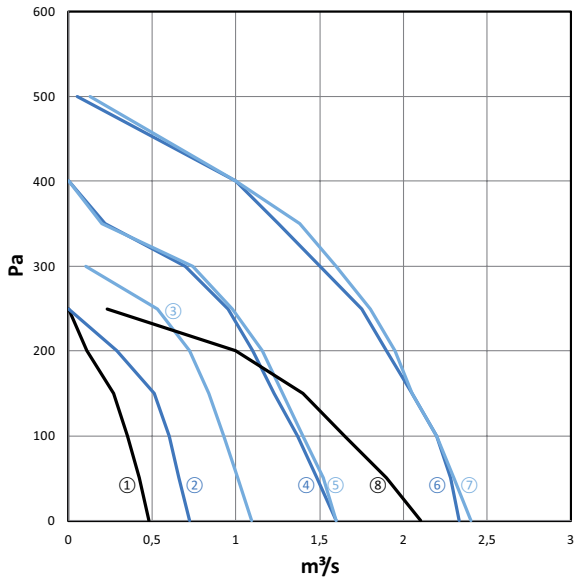
Ordering example



Box Fan

MFF

Technical data



Graph Ref.	Product	m³/s @ Pa												Motor W	Amps FLC	Speed RPM
		0	50	100	150	200	250	300	350	400	500	600	800			
1	MFF400M	0,48	0,42	0,35	0,27	0,11	0							138	0,61	1250
2	MFF450M	0,72	0,66	0,6	0,51	0,29	0							213	1,06	1370
3	MFF500M	1,09	1,01	0,93	0,84	0,72	0,53	0,1						368	1,87	1390
4	MFF600M	1,6	1,48	1,37	1,23	1,1	0,95	0,7	0,22	0				587	2,69	1270
5	MFF600T	1,6	1,52	1,4	1,28	1,16	0,98	0,74	0,2	0				552	1,17/2	1280
6	MFF600MH	2,33	2,28	2,2	2,05	1,9	1,75	1,5	1,25	1	0,05			1140	5,5	1380
7	MFF600TH	2,4	2,3	2,2	2,05	1,95	1,8	1,6	1,38	1	0,13			1030	2	1380
8	MFF700M	2,1	1,9	1,65	1,4	1	0,23							533	2,48	900
9	MFF700T	2,2	1,98	1,75	1,48	1,1	0,23							502	1,32/2	920
10	MFF700MH	3,04	2,93	2,86	2,71	2,57	2,43	2,29	2,07	1,86	1	0,7		1600	7,1	1350
11	MFF700TH	3	2,89	2,75	2,61	2,44	2,28	2,08	1,83	1,5	0,5	0		1340	2,71	1280
12	MFF750M	2,92	2,72	2,47	2,14	1,72	1	0,22						865	4,58	880
13	MFF750T	3,07	2,93	2,68	2,43	2	1,36	0,43	0					828	2,14/4	920
14	MFF750TH	4,46	4,33	4,17	4	3,83	3,67	3,5	3,25	3	2,5	1,25		2480	4,63	1340
15	MFF850T	4,2	3,95	3,7	3,4	3,1	2,75	2,3	1,4	0,25				1360	3,37/6	920
16	MFF850TH	5,3	5,2	5,1	4,9	4,8	4,6	4,5	4,3	4,1	3,7	3	0,6	3910	6,6/11	1280



Box Fan

MFF

Technical data

Graph Ref.	Product	Frequency	Sound Power Level								dB(A) @ 3m
			63	125	250	500	1K	2K	4K	8K	
1	MFF400M	Inlet	49	60	58	58	53	55	54	51	46
		Outlet	50	62	58	54	56	59	55	51	
		Breakout	30	43	49	45	48	34	31	29	
2	MFF450M	Inlet	50	63	60	58	56	60	55	50	44
		Outlet	52	62	64	56	61	63	59	53	
		Breakout	31	42	45	45	44	40	34	32	
3	MFF500M	Inlet	53	65	64	62	60	63	57	51	47
		Outlet	54	66	65	59	64	66	62	55	
		Breakout	34	46	51	49	43	41	38	31	
4	MFF600M	Inlet	57	72	67	67	71	68	65	57	53
		Outlet	64	71	70	64	72	72	68	60	
		Breakout	37	45	57	54	50	46	42	35	
5	MFF600T	Inlet	49	52	50	46	53	51	44	33	52
		Outlet	66	72	72	64	72	71	67	59	
		Breakout	40	40	57	50	49	45	41	34	
6	MFF600MH	Inlet	62	73	72	71	73	71	69	62	55
		Outlet	69	73	74	68	74	75	71	63	
		Breakout	43	52	57	58	53	49	45	38	
7	MFF600TH	Inlet	62	72	73	70	73	70	67	60	55
		Outlet	70	73	74	67	74	73	68	60	
		Breakout	43	46	58	55	53	48	43	37	
8	MFF700M	Inlet	55	65	66	65	64	63	59	50	52
		Outlet	64	71	73	68	72	70	64	54	
		Breakout	35	45	59	48	42	38	36	29	
9	MFF700T	Inlet	56	66	63	64	64	62	58	49	47
		Outlet	62	69	67	66	70	68	61	51	
		Breakout	35	46	52	44	45	37	34	29	
10	MFF700MH	Inlet	66	74	72	76	75	75	73	66	59
		Outlet	71	77	78	76	82	80	74	66	
		Breakout	44	54	65	57	53	50	46	40	
11	MFF700TH	Inlet	60	76	71	74	74	73	71	65	57
		Outlet	69	76	76	77	82	77	72	63	
		Breakout	47	51	62	53	51	46	42	38	
12	MFF750M	Inlet	59	69	69	64	67	62	58	54	56
		Outlet	67	74	72	71	77	71	65	61	
		Breakout	42	58	61	55	52	41	36	32	
13	MFF750T	Inlet	61	68	67	65	70	64	60	56	56
		Outlet	69	75	75	74	78	72	66	61	
		Breakout	42	49	62	50	50	41	34	30	
14	MFF750TH	Inlet	71	77	75	74	79	74	71	66	62
		Outlet	77	82	83	85	89	84	79	71	
		Breakout	46	54	68	60	60	55	48	41	
15	MFF850T	Inlet	61	74	70	71	74	72	67	59	59
		Outlet	74	78	81	82	81	75	68	59	
		Breakout	45	51	65	58	55	51	45	36	
16	MFF850TH	Inlet	69	79	77	80	83	81	77	69	66
		Outlet	82	85	87	89	91	85	79	69	
		Breakout	55	61	71	65	64	61	55	48	