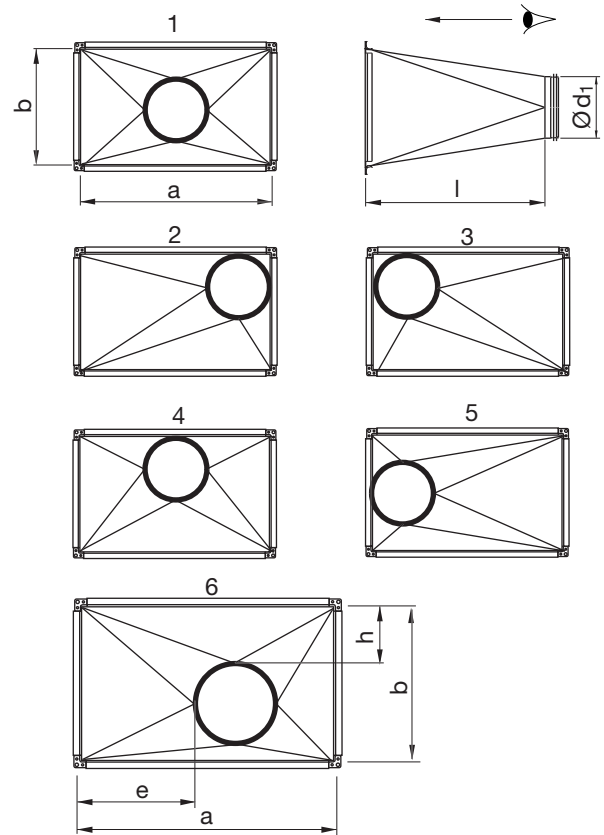


Rect-to-round transition

LORUSS



Dimensions



Description

Rect-to-round transition are used between rectangular and circular ducts. The rectangular connection has joining profiles type RJFP and the circular connection has Safe seal.

The rectangular connection is available with offsets as in the coded sketches.

Measures e and h only need to be given for alternative 6. Negative values for e, for example, mean that e is outside side a.

The Rect-to-round transition LORU can also be manufactured with other designs of the circular connection. It then changes name as follows:

LORNP: Transition with male coupling (without gasket)

LORMF: Transition with female coupling

The product is CE marked according to EN 12101-7 and used in a rectangular smoke control system - single compartment (see declaration of performance).

Ordering example

	LORUSS	500	300	160	450	1
Product								
Largest side	a							
Smallest side	b							
Diameter	Ød ₁							
Length	l							
The alternative displacements are seen from the circular end						1 - 6		
Displacement	e					(Only at alternative 6.)		
Displacement	h					(Only at alternative 6.)		

a mm	l std mm
100	300
150	300
200	300
250	300
300	300
350	300
400	450
450	450
500	450
600	450
700	450
800	600
900	600
1000	600