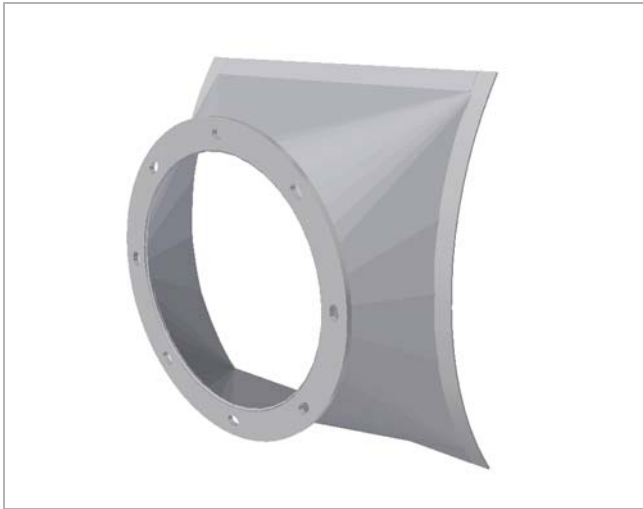
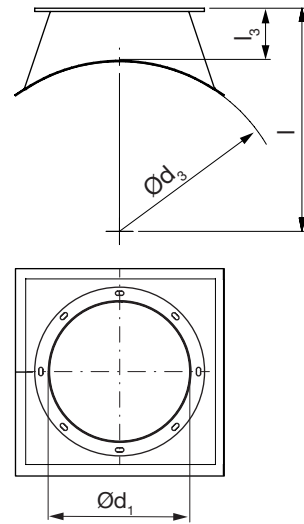


Welded take-off to circular duct

INDTSTC



Dimensions



Description

Welded take-off to circular duct.

Available with welding collars (as above) or with predrilled flanges.

Standard flanges are drilled in accordance with Eurovent standard, alternative hole pitches on request.

Standard materials S235 with epoxy paint, EN1.4301 or EN1.4404, other materials available on request. Material thickness up to 6 mm and flanges 8 mm.

Connection:

- 0 = Welding collar
- 1 = Eurovent flange
- 5 = Bespoke flange

Please specify when ordering.

Produced in Jyväskylä Finland.

Ød ₁ mm	Ød ₃ mm	l mm	l ₃ mm
200	250	335	165
200	315	410	175
250	315	410	200
250	400	505	210
315	400	505	245
315	500	610	250
400	500	610	290
400	630	740	290
500	500	610	340
500	630	740	340
500	800	910	340
630	500	610	405
630	630	740	405
630	800	910	405
630	1000	1130	405
800	630	740	490
800	800	910	490
800	1000	1130	490
800	1250	1380	490
1000	630	740	590
1000	800	910	590
1000	1000	1130	590
1000	1250	1380	590
1250	630	740	715
1250	800	910	715
1250	1000	1130	715
1250	1250	1380	715
1400	1000	1130	850
1400	1250	1380	850
1400	1400	1550	850
1600	1250	1380	950
1600	1400	1550	950
1600	1600	1750	950

Ordering example

