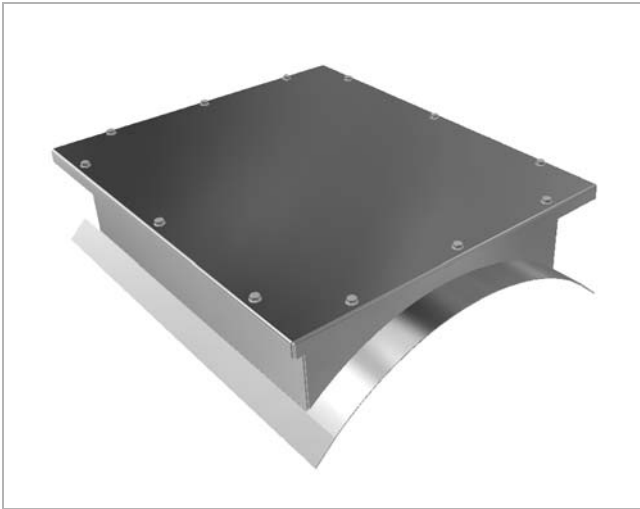


Access door

INDTL



Description

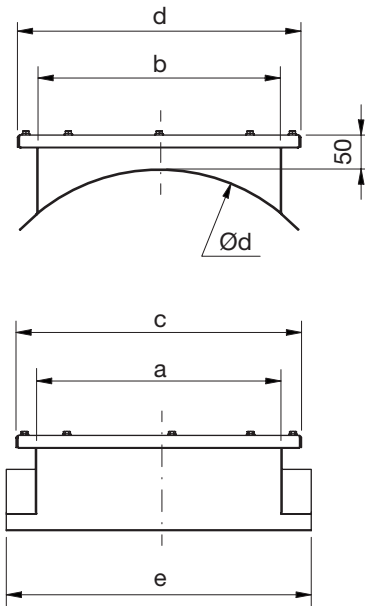
Access door for welded circular duct.
Locked with hexagon bolts.

Access door will be welded on the duct.

Standard materials S235 with epoxy paint, EN1.4301 or EN1.4404, other materials available on request.

Material thickness up to 6 mm.

Dimensions



| Ød nom | a* | b* | h* |
|-----------|-----|-----|-----|
| 125 | 200 | 100 | 200 |
| 160 | 200 | 100 | 150 |
| 200 | 200 | 150 | 200 |
| 250 | 200 | 150 | 150 |
| 315 | 200 | 200 | 200 |
| 400 | 200 | 200 | 150 |
| 500 | 400 | 200 | 200 |
| 630 | 400 | 200 | 175 |
| 800 | 500 | 400 | 200 |
| 1000 | 500 | 400 | 175 |
| 1250 | 500 | 400 | 150 |
| 1400 | 500 | 400 | 150 |
| 1600 | 500 | 400 | 150 |

* Note! Opening dimensions

Ordering example

