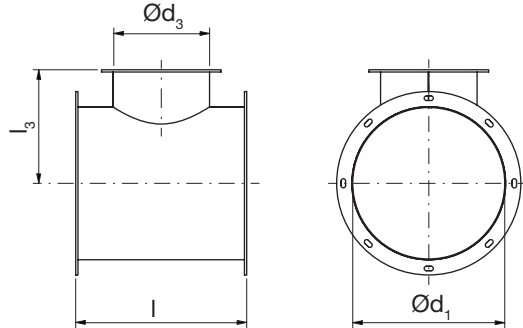


Welded T- Piece

INDTC



Dimensions



Description

Welded centric T-piece.

Available with welding collars (as above) or with predrilled flanges. Standard flanges are drilled in accordance with Eurovent standard, alternative hole pitches on request. All endings Ød1,2 and 3 can be with different connection type.

Standard materials S235 with epoxy paint, EN1.4301 or EN1.4404, other materials available on request. Material thickness up to 6 mm and flanges 8 mm.

Connection:

- 0 = Welding collar
- 1 = Eurovent flange
- 5 = Bespoke flange

Please specify when ordering.

Produced in Jyväskylä Finland.

Ød ₁ mm	Ød ₃ mm	l mm	l ₃ mm
200	250	400	200
200	315	400	200
250	315	450	225
250	400	450	225
315	400	515	257,5
315	500	515	257,5
400	500	600	300
400	630	600	300
500	500	700	350
500	630	700	350
500	800	700	350
630	500	830	415
630	630	830	415
630	800	830	415
630	1000	830	415
800	630	1000	500
800	800	1000	500
800	1000	1000	500
800	1250	1000	500
1000	630	1200	600
1000	800	1200	600
1000	1000	1200	600
1000	1250	1200	600
1250	630	1450	725
1250	800	1450	725
1250	1000	1450	725
1250	1250	1450	725
1400	1000	1600	800
1400	1250	1600	800
1400	1400	1600	800
1600	1250	1800	900
1600	1400	1800	900
1600	1600	1800	900

Ordering example

